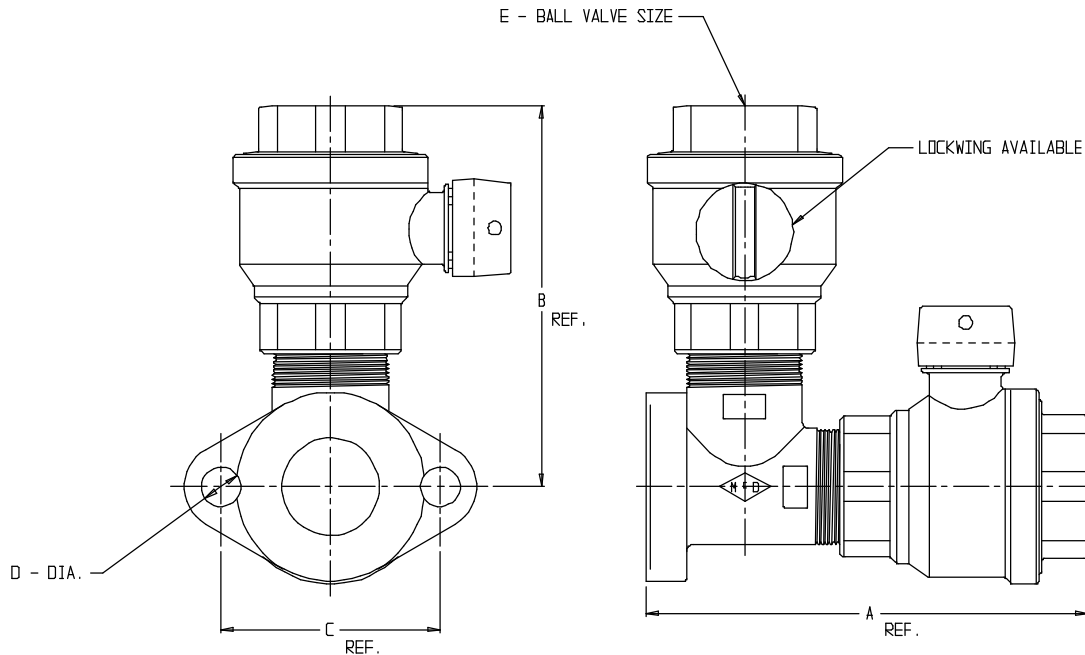


SUBMITTAL DATA SHEET

NL Large Size Meter Setter – 720-HT

Oval Flange x FNPT x FNPT



OTHER VALVE COMBINATIONS AVAILABLE
CONTACT FACTORY

MODEL	SIZE	A	B	C	D	E
720-HT	1 1/2	8.30	6.90	4.00	.72	1 1/2
720-HT	2	9.10	7.65	4.50	.81*	2

* NOTE 2" ONLY HAS SINGLE HOLE

SUBMITTAL INFORMATION

- Manufactured in compliance with ANSI/AWWA C800 (latest revision)
- Brass components in contact with potable water conform to ASTM B584, UNS C89833 (latest revision) and identified with "NL"
- Certified to NSF/ANSI 372
- Brass components not in contact with potable water conform to ASTM B62 and ASTM B584, UNS C83600 -85-5-5-5 (latest revision)
- Copper tubing made in compliance with ASTM B88, UNS C12200 (latest revision)
- Lead free solder joints
- Designed to provide proper meter spacing for ease of installation
- Padlock wings standard on all valves



A.Y. McDonald Mfg. CO.
4800 Chavenelle Rd
Dubuque, IA 52002

Toll Free: 1-800-292-2737
sales@aymcdonald.com
aymcdonald.com

A.Y. McDonald considers the information on this assembly drawing correct when published. Item and option availability, including specifications, are subject to change without notice.

Submitted by: