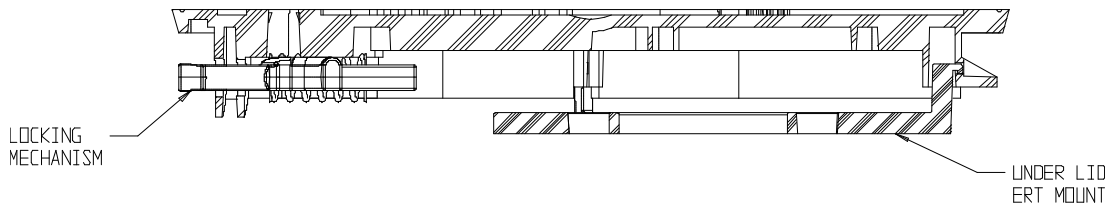
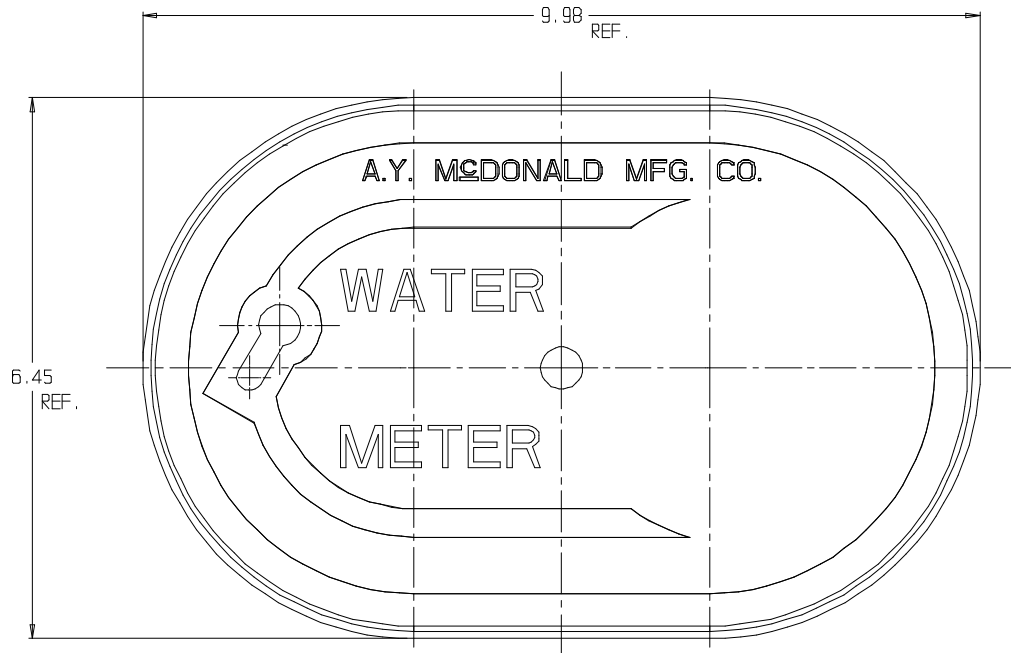


SUBMITTAL DATA SHEET

Yoke & Long Box Iron Component – 75L2 X801

Plastic Cover Only With ERT Bracket



SUBMITTAL INFORMATION



A.Y. McDonald Mfg. Co.
4800 Chavenelle Rd
Dubuque, IA 52002

Toll Free: 1-800-292-2737
sales@aymcdonald.com
aymcdonald.com

A.Y. McDonald considers the information on this assembly drawing correct when published. Item and option availability, including specifications, are subject to change without notice.

Submitted by: