

SUBMITTAL DATA SHEET

Sump, Sewage, & Effluent Pumps
DuraMAC™ | Guardian

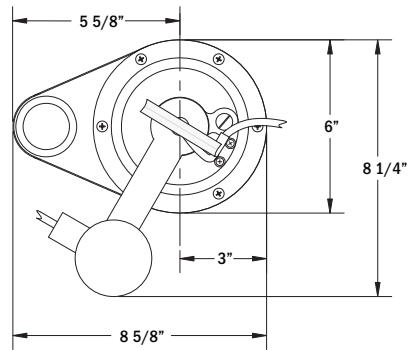
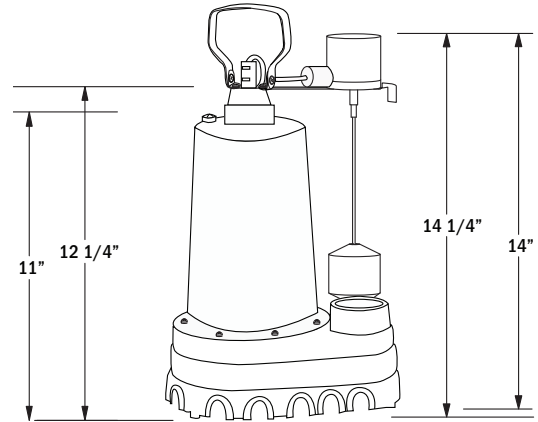
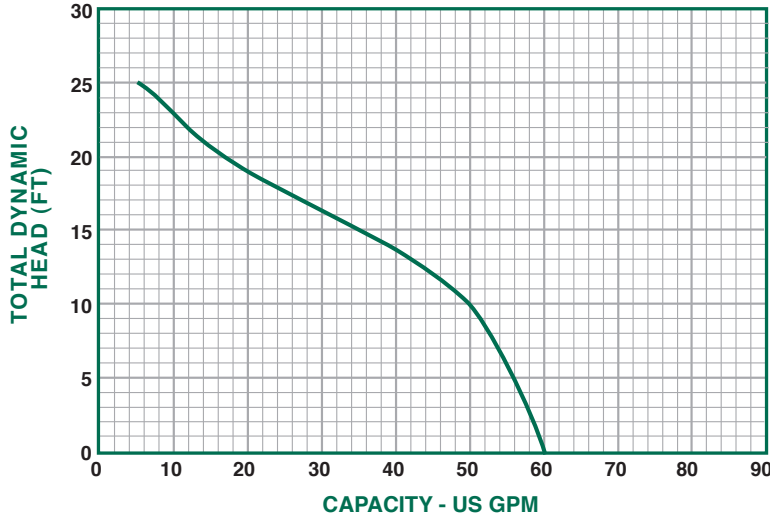
5033CVSP, 5033CUSP, & 5033CUSP25 Sump Pump



See Pumps & Accessories
Price List for Limited
Warranty details.

With a rugged cast iron construction, the 5033CVSP, 5033CUSP, and 5033CUSP25 can handle up to 60 gallons per minute.

Performance Curve



Performance

Model	Gallons per Minute in Feet					
5033CUSP	0	5	10	15	20	25
5033CUSP25	60	56	50	35	15	6
5033CVSP						

Specifications

Part No.	Model No.	HP	Volts	Hz	Amps	Construction	Discharge Size	Cord Length	Solids Handling	RPM	Phase	Wt.
6190-149	5033CVSP	1/3	120	60	5.9	Cast Iron	1 1/2"	10'	1/2"	3450	1	25
6190-163	5033CUSP (NO SWITCH)	1/3	120	60	5.9	Cast Iron	1 1/2"	10'	1/2"	3450	1	24
6190-161	5033CUSP25 (NO SWITCH)	1/3	120	60	5.9	Cast Iron	1 1/2"	25'	1/2"	3450	1	25

SUBMITTAL INFORMATION

- Split Capacitor Motor - 1/3 HP continuous duty, thermal protected
- Lifts water up to 25' of vertical height
- 10' power cord, 25' cords are available for an additional charge
- Large 1 1/2" discharge for high capacity pumping
- Clog resistant impeller
- Also available without a switch
- Vertical float switch



NO-LEAD: The weighted average of the wetted surface of this no-lead product contacted by consumable water contains less than one quarter of one percent (0.25%) lead.



A.Y. McDonald Mfg. Co.
4800 Chavenelle Rd
Dubuque, IA 52002

Toll Free: 1-800-292-2737
sales@aymcdonald.com
aymcdonald.com

A.Y. McDonald considers the information on this assembly drawing correct when published. Item and option availability, including specifications, are subject to change without notice.

Submitted by: