

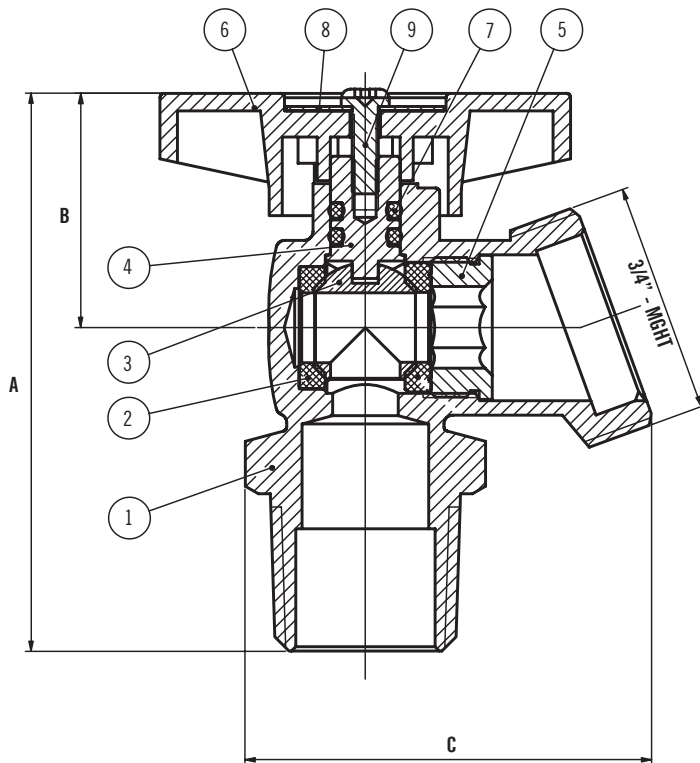
SUBMITTAL DATA SHEET

No-Lead
Quarter Turn Boiler Drain – 72008QT

MNPT x MGHT



A.Y. McDonald Mfg. Co. No-Lead Low Pressure Valves are constructed from heavy duty no-lead brass and are recommended for residential and commercial applications and positive shut-off with various inlet configurations.



Dimensions

Size	A	B	C
1/2"	2.51"	1.06"	1.83"
3/4"	2.51"	1.06"	1.83"

Materials

No.	Part	Material
1	Body	No-Lead Brass (C46500)
2	Seal Ring	PTFE
3	Ball	No-Lead Brass (C46500)
4	Stem	No-Lead Brass (C69300)
5	Bonnet	No-Lead Brass (C46500)
6	Handle	Aluminum
7	O-ring	EPDM
8	Name Plate	Aluminum
9	Screw	Stainless-Steel (SS304)

SUBMITTAL INFORMATION

- 250 PSI
- Sizes: 1/2", 3/4"
- MGHT (3/4" - 11.5NH Thread) ASME B1.20.7



NSF/ANSI/CAN 61 & 372

NO-LEAD: The weighted average of the wetted surface of this no-lead product contacted by consumable water contains less than one quarter of one percent (0.25%) lead.



A.Y. McDonald Mfg. Co.
4800 Chavenelle Rd
Dubuque, IA 52002

Toll Free: 1-800-292-2737
sales@aymcdonald.com
aymcdonald.com

A.Y. McDonald considers the information on this assembly drawing correct when published. Item and option availability, including specifications, are subject to change without notice.

Submitted by: