

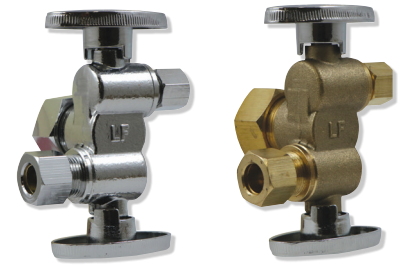
SUBMITTAL DATA SHEET

No-Lead
Quarter Turn Angle Supply Stop - Dual Outlet, Dual Handle

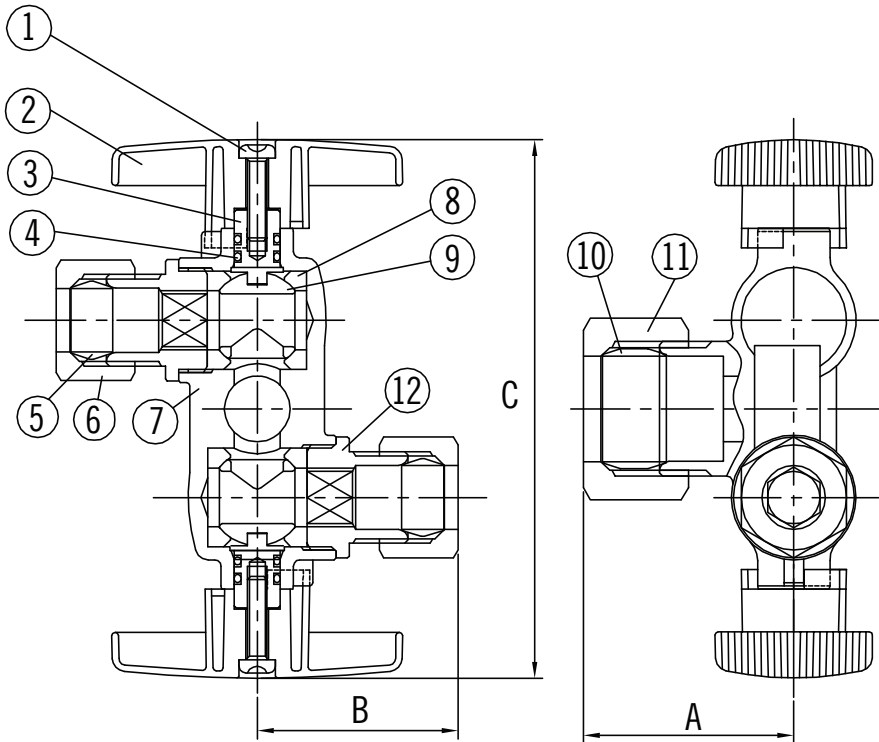
72082DD - Chrome Finish

72082DDB - Rough Brass

Comp x Comp x Comp



A.Y. McDonald Mfg. Co. No-Lead Quarter Turn Supply Stops are fully certified to all applicable standards. The ball valve design allows for ease of operation and positive shutoff and is ideal for residential and commercial applications. Each valve is constructed of heavy duty chrome plated brass.



Materials

No.	Part	Material
1	Handle Screw	Steel
2	Handle	Chrome Plated Zinc
3	Stem	No-Lead Brass
4	O-ring	NBR
5	Compression Ring	Copper
6	Compression Nut	Brass
7	Body	No-Lead Brass
8	Ball Disc Packing	EPDM
9	Ball Disc	No-Lead Brass
10	Compression Ring	Copper
11	Compression Nut	Brass
12	End Plug	No-Lead Brass

Dimensions

Size	A	B	C
5/8" x 3/8" x 3/8"	1.26	1.22	3.23
5/8" x 3/8" x 1/4"	1.28	1.10	3.23

SUBMITTAL INFORMATION

- Brass stem is assembled from the inside out with two o-rings to ensure safe, reliable performance.
- Easy-to-remove handle with screw attachment helps protect against accidental stop operation during rough-ins

NO-LEAD: The weighted average of the wetted surface of this no-lead product contacted by consumable water contains less than one quarter of one percent (0.25%) lead.



A.Y. McDonald Mfg. Co.
4800 Chavenelle Rd
Dubuque, IA 52002

Toll Free: 1-800-292-2737
sales@aymcdonald.com
aymcdonald.com

A.Y. McDonald considers the information on this assembly drawing correct when published. Item and option availability, including specifications, are subject to change without notice.

Submitted by: