

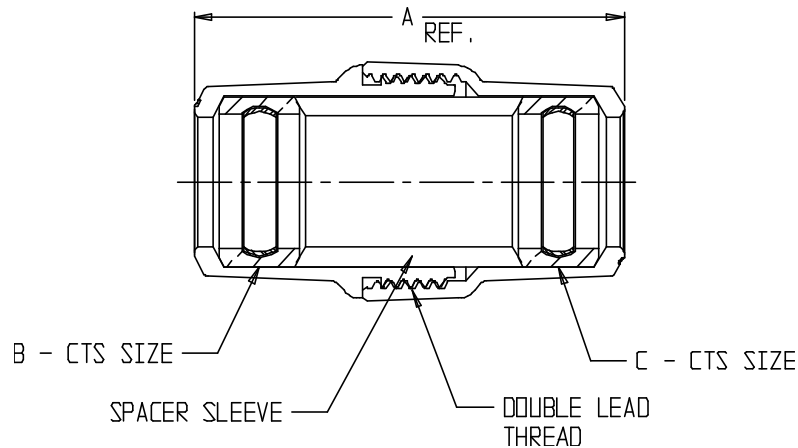
SUBMITTAL DATA SHEET

NL Service Fitting – 74756-CTS

CTS x CTS



MODEL	SIZE	A	B	C
74756-CTS	3/4	3.01	3/4"	3/4"
74756-CTS	3/4 X 1	3.55	3/4"	1"
74756-CTS	1	3.57	1"	1"
74756-CTS	1 1/4	3.60	1 1/4"	1 1/4"
74756-CTS	1 1/2	3.80	1 1/2"	1 1/2"
74756-CTS	2	4.34	2"	2"



SUBMITTAL INFORMATION

- Manufactured in compliance with ANSI/AWWA C800 (latest revision)
- Brass components conform to ASTM B584, UNS C89833 (latest revision) and identified with "NL"
- Certified to NSF/ANSI 61 and NSF/ANSI 372
- Large wrench flats provided for proper installation
- Insert stiffeners required for all flexible plastic connections



A.Y. McDonald Mfg. Co.
 4800 Chavenelle Rd
 Dubuque, IA 52002

Toll Free: 1-800-292-2737
sales@aymcdonald.com
aymcdonald.com

A.Y. McDonald considers the information on this assembly drawing correct when published. Item and option availability, including specifications, are subject to change without notice.

Submitted by: