

SUBMITTAL DATA SHEET

Waste Water Effluent | Sewage Ejectors | Grinders 4/10 - 1/2 HP Effluent Submersible Pumps



These submersible pumps can handle up to 3/4" solids with 2" FNPT discharge. Dewatering, septic systems, residential and commercial developments, and elevator pits.

Motor

High efficient, 115V or 230V, oil filled, permanent split capacitor motor with upper and lower ball bearings and thermal overload protection

- Constant bearing lubrication
- Maximum motor cooling
- Runs cooler and lasts longer
- Internal overload protection
- Quiet operation
- Fasteners and shaft made from rugged, corrosion resistant stainless steel

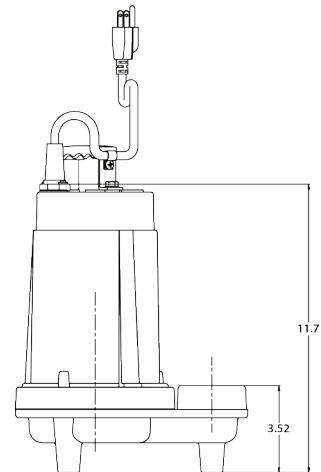
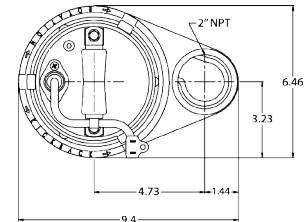
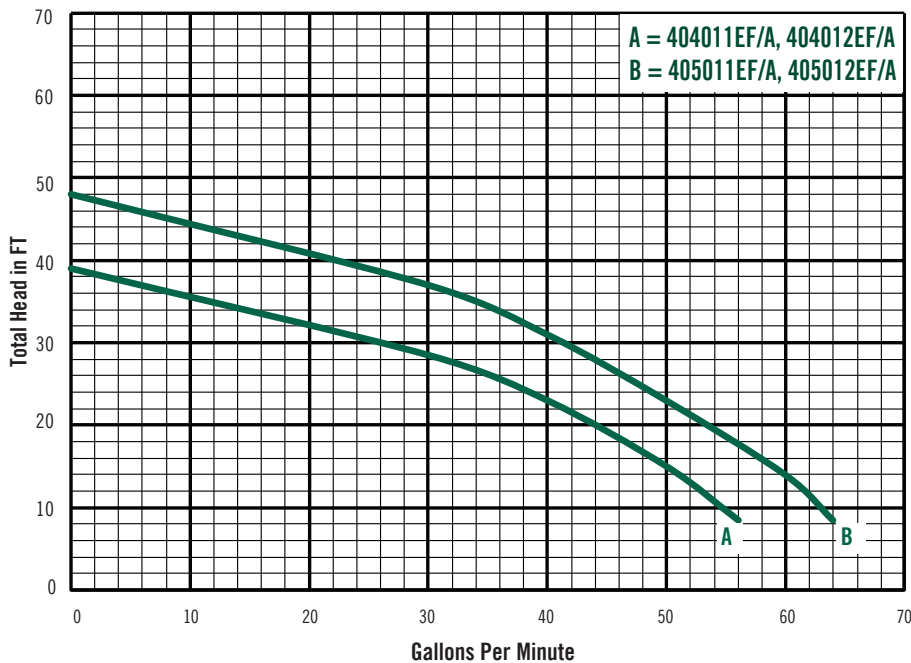
Performance

- Heads up to 48' TDH
- Flows up to 65 GPM

Warranty

- 3 Years from date of manufacture

Performance Curve



NO-LEAD: The weighted average of the wetted surface of this no-lead product contacted by consumable water contains less than one quarter of one percent (0.25%) lead.



A.Y. McDonald Mfg. Co.
4800 Chavenelle Rd
Dubuque, IA 52002

Toll Free: 1-800-292-2737
sales@aymcdonald.com
aymcdonald.com

A.Y. McDonald considers the information on this assembly drawing correct when published. Item and option availability, including specifications, are subject to change without notice.

Submitted by:

SUBMITTAL DATA SHEET

Waste Water Effluent | Sewage Ejectors | Grinders 4/10 - 1/2 HP Effluent Submersible Pumps



Seal Design

Type 21 inboard seal design with secondary exclusion seal

- Rotating components of seal are in the motor housing, being lubricated by the motor oil preventing foreign matter from wrapping around the seal components
- Seal will last longer if the pump runs dry
- Secondary exclusion seal keeps debris from entering the seal cavity

Impeller Design

Non-clog style, cast-iron vortex impeller

- Designed to help reduce clogging by foreign material

Power Cord

Sealed entry quick disconnect power cords

- Prevents water from entering the motor housing through a cut cord
- Easy to replace in the field
- Available in lengths up to 100'

Switch

Piggy-back switch design

- Defective switches can be diagnosed over the phone
- Pump can be operated manually or supplied with other piggy-back switches
- Switch can be replaced without having to replace the pump

Technical Data

Discharge	2" NPT. vertical standard
Liquid Temperature	140°F (Intermittent)
Motor Housing	Cast Iron
Volute	Cast Iron
Seal Plate	Cast Iron
Impeller	Cast Iron / Vortex
Solids Handling	3/4"
Shaft	Stainless Steel
Shaft Seal (Single Seal)	Inboard mechanical with secondary exclusion V-Seal, carbon rotating face, ceramic stationary face, Buna-N elastomer, 300 series stainless steel hardware
Bearings (Upper & Lower)	Single row, ball, oil lubricated
Hardware	300 Series stainless steel
O-rings	Buna-N
Cord	20' Length standard. Up to 100' available.
Motor (Single Phase)	4/10 - 1/2 HP 3450 RPM, 60 Hz, NEMA L. Includes Overload Protection in the motor, oil filled, class B permanent split capacitor
Weight	37 lbs (Manual)

Part No.	Model	HP	Volts	Phase	AMPS	Cord Length	Switch
6191-000	404011EF	4/10	115	1	6.6	20'	Manual
6191-001	404011EFA	4/10	115	1	6.6	20'	Wide-Angle Float
6191-012	404012EF	4/10	230	1	3.3	20'	Manual
6191-013	404012EFA	4/10	230	1	3.3	20'	Wide-Angle Float
6191-002	405011EF	1/2	115	1	8.5	20'	Manual
6191-003	405011EFA	1/2	115	1	8.5	20'	Wide-Angle Float
6191-004	405012EF	1/2	230	1	4.3	20'	Manual
6191-005	405012EFA	1/2	230	1	4.3	20'	Wide-Angle Float



NO-LEAD: The weighted average of the wetted surface of this no-lead product contacted by consumable water contains less than one quarter of one percent (0.25%) lead.



A.Y. McDonald Mfg. Co.
4800 Chavenelle Rd
Dubuque, IA 52002

Toll Free: 1-800-292-2737
sales@aymcdonald.com
aymcdonald.com

A.Y. McDonald considers the information on this assembly drawing correct when published. Item and option availability, including specifications, are subject to change without notice.

Submitted by: