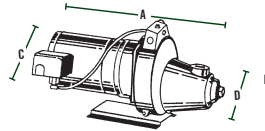
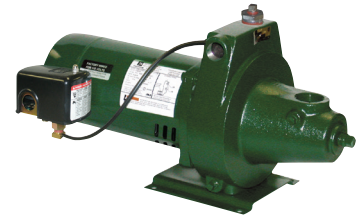


SUBMITTAL DATA SHEET

Jet Pumps
Convertible | Shallow Well

8500 Series - Shallow Well



Overall Length "A"
Overall Height "B"
Overall Width with Pressure Switch "C"
Overall Width without Pressure Switch "D"
*See table to left for dimensions.

A.Y. McDonald offers a full line of shallow well and convertible jet pumps built for years of trouble free operation, with high-efficiency impellers and diffusers. The 8500 series shallow well capacity is up to 25 gallons per minute (GPM) and pressures to 80 PSI.

All 8500 Series Shallow Well Pumps come with a 1 1/4" suction pipe and 1" top or side discharge. The sizes range from 1/3 to 1 horsepower (HP).

Models Available

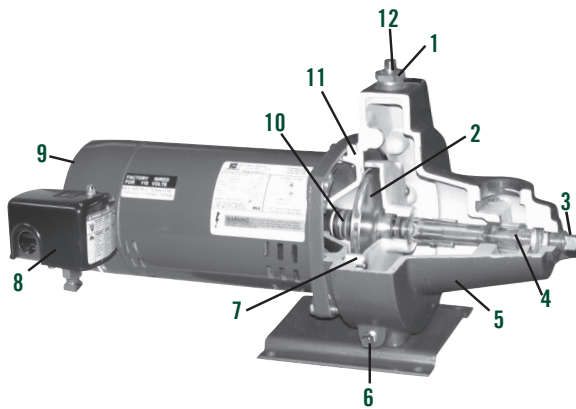
High Capacity

Part No.	Model No.	HP	Volt	*Max. Amps	Impeller	A	B	C	D	WT
6164-000	8530	1/3	115/230	10.6	plastic	19.5"	10"	10.5"	8"	38
6164-018	8531	1/3	115/230	10.6	brass	19.5"	10"	10.5"	8"	40
6164-001	8550	1/2	115/230	12.0	plastic	20"	10"	10.5"	8"	43
6164-020	8551	1/2	115/230	12.0	brass	20"	10"	10.5"	8"	44
6164-002	8570	3/4	230/115	7.6	plastic	20.2"	10"	10.5"	8"	43
6164-023	8571	3/4	230/115	7.6	brass	20.2"	10"	10.5"	8"	45
6164-003	8510	1	230/115	9.2	plastic	20.6"	10"	10.5"	8"	45
6164-006	8511	1	230/115	9.2	brass	20.6"	10"	10.5"	8"	47

High Pressure

Part No.	Model No.	HP	Volt	*Max. Amps	Impeller	A	B	C	D	WT
6164-011	8530HP	1/3	115/230	10.6	plastic	19.5"	10"	10.5"	8"	41
6164-019	8531HP	1/3	115/230	10.6	brass	19.5"	10"	10.5"	8"	42
6164-008	8550HP	1/2	115/230	12.0	plastic	20"	10"	10.5"	8"	44
6164-021	8551HP	1/2	115/230	12.0	brass	20"	10"	10.5"	8"	42
6164-013	8570HP	3/4	230/115	7.6	plastic	20.2"	10"	10.5"	8"	44
6164-024	8571HP	3/4	230/115	7.6	brass	20.2"	10"	10.5"	8"	44
6164-015	8510HP	1	230/115	9.2	plastic	20.6"	10"	10.5"	8"	45
6164-017	8511HP	1	230/115	9.2	brass	20.6"	10"	10.5"	8"	47

Factory Voltage Setting listed first in bold type.



- 1 - Zinc Plated Plug**
(With Pressure Gauge Tap and 1/4" plug in side discharge, see picture above)
- 2 - Impeller**
Available in engineered polycarbonate thermoplastic
- 3 - Zinc Plated Nozzle Cleanout Plug**
- 4 - Nozzle-Venturi (jet Ejector) Assembly**
Unitized construction made of non-distorting Polycarbonate with excellent heat resistance
- 5 - Cast Iron Pump Body**
- 6 - Drain Plug**
- 7 - Diffuser**
Multi-volute engineered thermoplastic diffuser for maximum capacity and pressure
- 8 - Pressure Switch**
Easily adjusted for higher or lower operating pressures
- 9 - High Service Factor, Capacitor Start, Threaded Shaft, Square Flange Motor**
Built to specifications by nationally known manufacturers to assure local service availability. Choice of 1/3, 1/2, 3/4 and 1 H.P. 60 Hz.
- 10 - Shaft Seal**
Standard 5/8" ceramic carbon rotating mechanical seal
- 11 - Thermoplastic Seal / Condensation Plate**
Provides air gap between motor and water chamber
- 12 - Discharge**
1" Top or 3/4" Side discharge

SUBMITTAL INFORMATION

- Pressure switch factory settings:
1/3 and 1/2 HP High Capacity = 20-40 PSI
1/3 and 1/2 HP High Pressure = 30-50 PSI
All 3/4 and 1 HP = 30-50 PSI
- Square Flange Motor 7/16" - 20 Threads
- * Maximum Amp. Draw at factory voltage setting.

NO-LEAD: The weighted average of the wetted surface of this no-lead product contacted by consumable water contains less than one quarter of one percent (0.25%) lead.



A.Y. McDonald Mfg. Co.
4800 Chavenelle Rd
Dubuque, IA 52002

Toll Free: 1-800-292-2737
sales@aymcdonald.com
aymcdonald.com

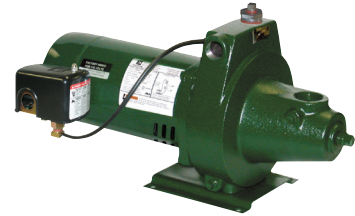
A.Y. McDonald considers the information on this assembly drawing correct when published. Item and option availability, including specifications, are subject to change without notice.

Submitted by:

SUBMITTAL DATA SHEET

Jet Pumps
Convertible | Shallow Well

8500 Series - Shallow Well



A.Y. McDonald offers a full line of shallow well and convertible jet pumps built for years of trouble free operation, with high-efficiency impellers and diffusers. The 8500 series shallow well capacity is up to 25 gallons per minute (GPM) and pressures to 80 PSI.

All 8500 Series Shallow Well Pumps come with a 1 1/4" suction pipe and 1" top or side discharge. The sizes range from 1/3 to 1 horsepower (HP).

8500 Series - High Capacity | Shallow Well

Model No.	HP	Suction Lift - Ft.	Capacities in GPM at Discharge Pressure (PSI)				MAX Shut Off Pressure
			20	30	40	50	
8530 8531	1/3	5	12.6	12.6	7.4	2.5	57
		15	10.0	10.0	6.0	1.3	
		25	5.8	5.8	2.7	--	
8550 8551	1/2	5	15.6	15.6	8.6	2.3	58
		15	11.7	11.7	6.5	1.2	
		25	6.6	6.6	4.7	--	
8570 8571	3/4	5	18.8	18.8	16.2	8.8	61
		15	14.4	14.4	12.3	3.9	
		25	8.6	8.6	7.3	2.7	
8510 8511	1	5	24.2	24.0	23.0	15	64
		15	20.1	18.6	18.4	10.9	
		25	11.6	11.4	11.3	4.7	

8500 Series - High Pressure | Shallow Well

Model No.	HP	Suction Lift - Ft.	Capacities in GPM at Discharge Pressure (PSI)					MAX Shut Off Pressure
			30	40	50	60	70	
8530HP 8531HP	1/3	5	6.7	6.1	4.3	2.3		70
		15	4.8	4.6	3.3	1.1		
		25	3.0	2.9	2.1			
8550HP 8551HP	1/2	5	7.6	7.1	5.7	2.7		74
		15	5.5	5.4	4.3	2.0		
		25	3.7	3.6	2.9			
8570HP 8571HP	3/4	5	9.4	9.4	7.8	4.2		75
		15	7.0	7.0	5.9	2.9		
		25	4.6	4.6	3.8	2.1		
8510HP 8511HP	1	5	13.4	13.4	12.7	9.2	3.0	80
		15	10.0	10.0	9.4	6.5	2.4	
		25	6.2	6.2	6.0	4.3	1.8	

NO-LEAD: The weighted average of the wetted surface of this no-lead product contacted by consumable water contains less than one quarter of one percent (0.25%) lead.



A.Y. McDonald Mfg. Co.
4800 Chavenelle Rd
Dubuque, IA 52002

Toll Free: 1-800-292-2737
sales@aymcdonald.com
aymcdonald.com

A.Y. McDonald considers the information on this assembly drawing correct when published. Item and option availability, including specifications, are subject to change without notice.

Submitted by: