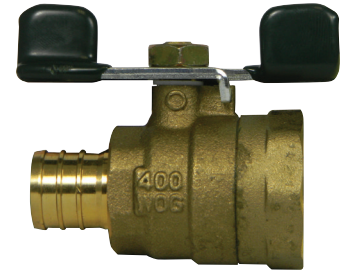


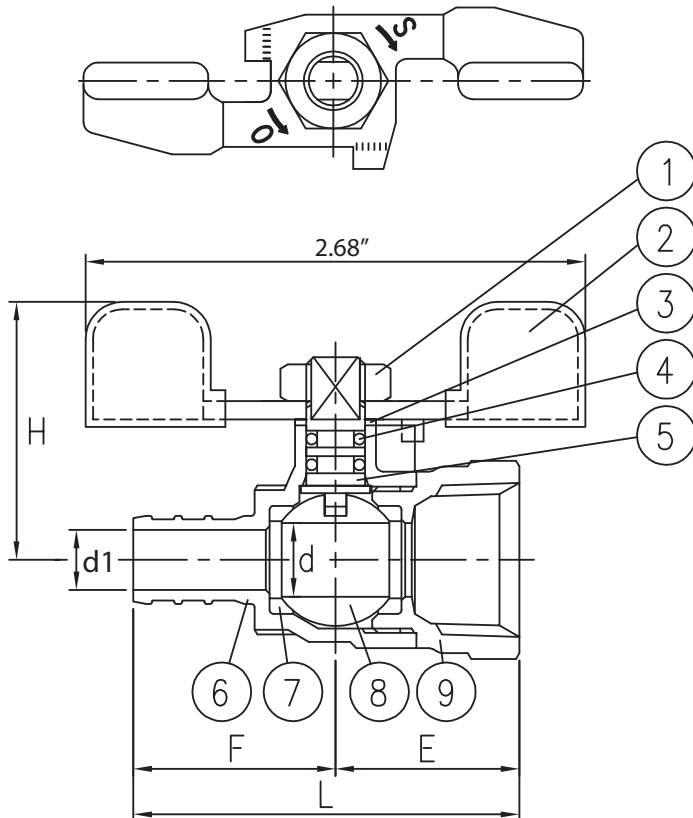
# SUBMITTAL DATA SHEET

No-Lead  
Standard Port Ball Valve – 72030FP

PEX x FNPT



A.Y. McDonald Mfg. Co. No-Lead Ball Valves are constructed of heavy duty no-lead forged brass and can be used in commercial, industrial and residential applications. This is a standard port valve with excellent flow characteristics.



## Materials

No.	Part	Material
1	Nut	Steel
2	Handle	Steel
3	Washer	Teflon
4	O-Ring	NBR
5	Stem	No-Lead Brass
6	Body	No-Lead Brass
7	Ball Disc Packing	Teflon
8	Ball Disc	No-Lead Brass
9	End Plug	No-Lead Brass

## Dimensions

Size	L	H	d	d1	E	F
1/2"	2.05	1.38	.39	.32	.98	1.10
3/4"	2.24	1.54	.59	.50	1.06	1.18
1"***	2.99	2.00	.78	3.93		

\*\*\*Has lever handle

## SUBMITTAL INFORMATION

- Available Sizes: 1/2" - 1"
- 400 WOG
- 150WSP
- Pex end conforms to ASTM F1807
- Blowout proof stem

NO-LEAD: The weighted average of the wetted surface of this no-lead product contacted by consumable water contains less than one quarter of one percent (0.25%) lead.



A.Y. McDonald Mfg. Co.  
4800 Chavenelle Rd  
Dubuque, IA 52002

Toll Free: 1-800-292-2737  
sales@aymcdonald.com  
aymcdonald.com

A.Y. McDonald considers the information on this assembly drawing correct when published. Item and option availability, including specifications, are subject to change without notice.

Submitted by: