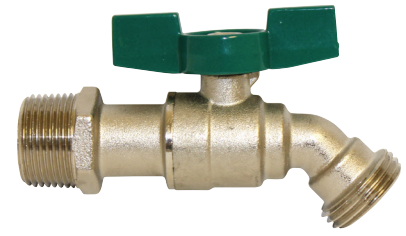
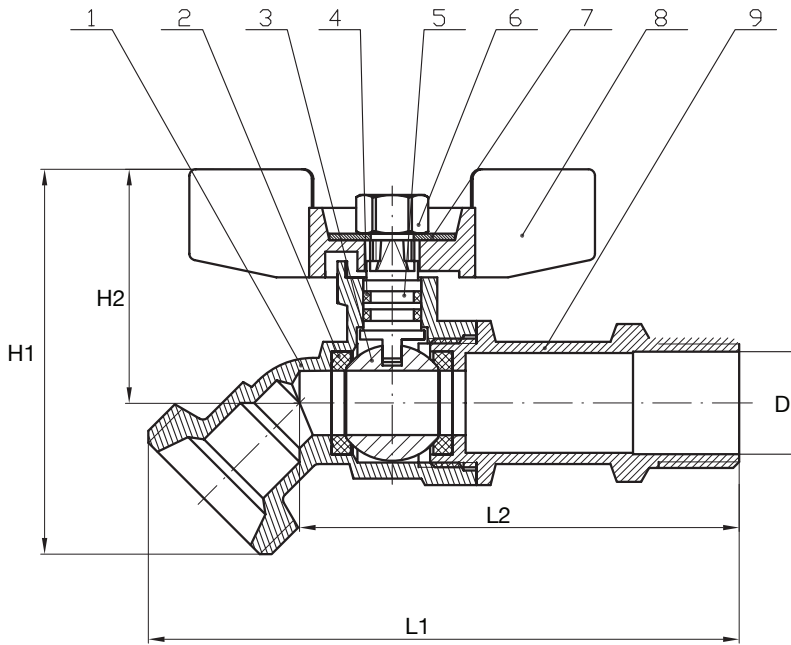


SUBMITTAL DATA SHEET

No-Lead
 Quarter Turn No-Kink Hose Bibb – 72007BV
 MNPT X MGHT



A.Y. McDonald Mfg. Co. No-Lead Low Pressure Valves are constructed from heavy duty no-lead brass and are recommended for residential and commercial applications and positive shut-off with various inlet configurations.



Dimensions

Size	L1	L2	H1	H2	D
1/2"	3.63	2.69	2.30	1.44	0.63
3/4"	4.17	3.19	2.41	1.44	0.79

Materials

No.	Part	Material
1	Valve Body	No-Lead Brass (C46500)
2	Seal Ring	PTFE
3	Ball	Chrome Plated
4	O-ring	NBR
5	Stem	No-Lead Brass (C46500)
6	Hex Nut	Nickle Plated
7	Label	Aluminum
8	Handle	Aluminum
9	Contact Nipple	No-Lead Brass (C46500)

SUBMITTAL INFORMATION

- Sizes: 1/2" and 3/4"
- 1/2" MNPT or SWT Combination
- Max Pressure Rating: 250 PSI
- Quarter Turn Operation



NO-LEAD: The weighted average of the wetted surface of this no-lead product contacted by consumable water contains less than one quarter of one percent (0.25%) lead.



A.Y. McDonald Mfg. Co.
 4800 Chavenelle Rd
 Dubuque, IA 52002

Toll Free: 1-800-292-2737
 sales@aymcdonald.com
 aymcdonald.com

A.Y. McDonald considers the information on this assembly drawing correct when published. Item and option availability, including specifications, are subject to change without notice.

Submitted by: