

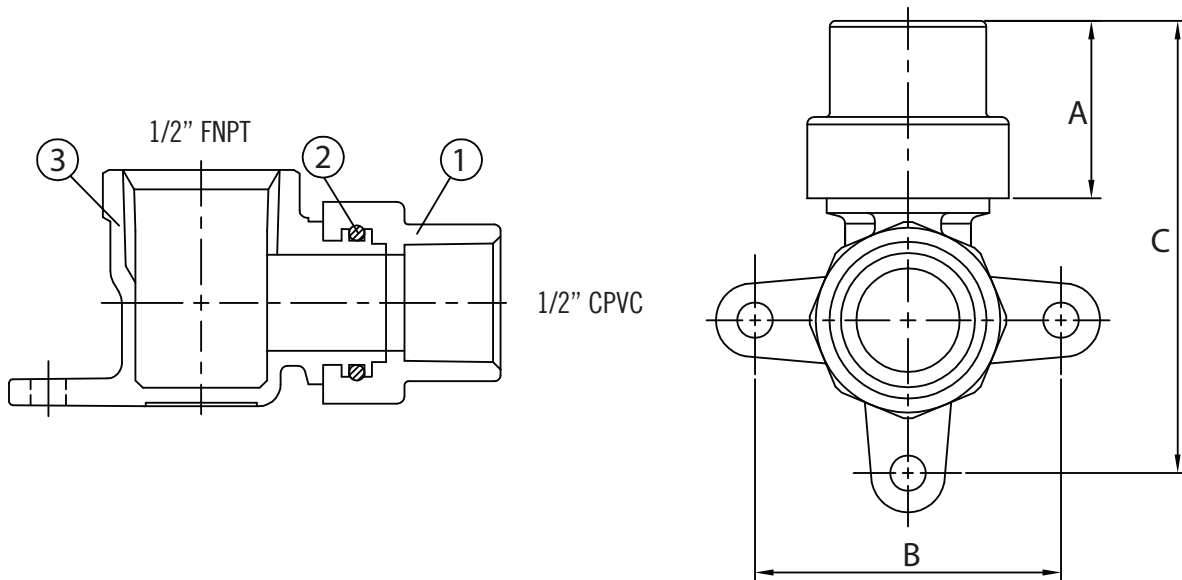
# SUBMITTAL DATA SHEET

No-Lead  
Brass Drop Ear Elbow – 72101V

FNPT X CPVC



A.Y. McDonald Mfg. Co. No-Lead Drop Ear Elbows creates a 90° connection and allows the transition from Pex tubing to threaded pipe. Drop ear elbows are secured to a stud behind the wall, using the mounting 'ears' which have holes in them. Typically used for installing shower arms and tub spouts, and for use in potable water applications.



### Dimensions

Size	A	B	C
1/2"	0.94	1.63	2.41

### Materials

No.	Part	Material
1	CPVC Transition	CPVC
2	Seal	Rubber
3	Body	No-Lead Brass (C46400)

### SUBMITTAL INFORMATION

- Three Ear Design
- Available Size: 1/2"

- ASTM D2846
- CPVC-4120

- ANSI/NSF 14 
- NSF/ANSI/CAN 61 & 372 

NO-LEAD: The weighted average of the wetted surface of this no-lead product contacted by consumable water contains less than one quarter of one percent (0.25%) lead.



**A.Y. McDonald Mfg. Co.**  
4800 Chavenelle Rd  
Dubuque, IA 52002

**Toll Free: 1-800-292-2737**  
sales@aymcdonald.com  
aymcdonald.com

A.Y. McDonald considers the information on this assembly drawing correct when published. Item and option availability, including specifications, are subject to change without notice.

**Submitted by:**