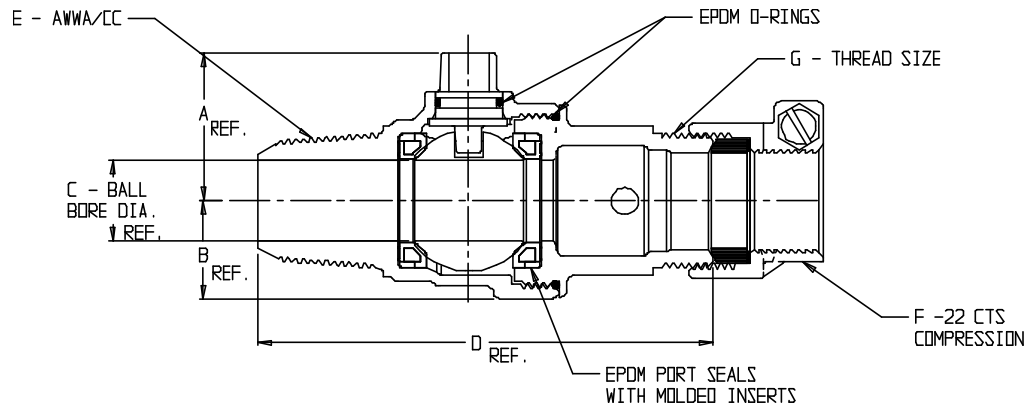


# SUBMITTAL DATA SHEET

NL Ball Style Corporation Stop – 74701B-22

AWWA/CC x -22 CTS Compression



MODEL	SIZE	A	B	C	D	E	F	G
74701B-22	3/4	1.39	.91	.75	4.23	3/4	3/4	3/4 AWWA FLARE
74701B-22	3/4 X 1	1.39	.91	.75	4.44	3/4	1	1 AWWA FLARE
74701B-22	1	1.50	1.16	1.00	4.37	1	1	1 AWWA FLARE
74701B-22	1 X 1 1/4	1.50	1.16	1.00	4.51	1	1 1/4	1 1/4 AWWA FLARE
74701B-22	1 1/4	1.88	1.33	1.25	5.90	1 1/4	1 1/4	1 1/4 AWWA FLARE
74701B-22	1 1/2	2.15	1.60	1.50	6.43	1 1/2	1 1/2	2 1/8 - 16 SPECIAL
74701B-22	1 1/2 X 2	2.15	1.60	1.50	6.97	1 1/2	2	2 5/8 - 16 SPECIAL
74701B-22	2	2.46	2.10	2.00	7.53	2	2	2 5/8 - 16 SPECIAL
74701B-22FT	1 1/2	2.15	1.60	1.50	6.09	1 1/2	1 1/2	1 1/2 AWWA FLARE
74701B-22FT	1 1/2 X 2	2.15	1.60	1.50	6.97	1 1/2	2	2 AWWA FLARE
74701B-22FT	2	2.46	2.10	2.00	7.56	2	2	2 AWWA FLARE

## SUBMITTAL INFORMATION

- Manufactured in compliance with ANSI/AWWA C800 (latest revision)
- Brass components in contact with potable water conform to ASTM B584, UNS C89833 (latest revision) and identified with “NL”
- Certified to NSF/ANSI 61 and NSF/ANSI 372
- Brass components not in contact with potable water conform to ASTM B62 and ASTM B584, UNS C83600 -85-5-5-5 (latest revision)
- PTFE coated brass ball rotates 360°
- Valve rated for 300 PSIG water pressure, end connections not to exceed rated pipe pressures.
- Blow out proof EPDM port seals
- End piece joint sealed with an EPDM o-ring and thread locker
- Insert stiffeners required on all flexible plastic connections



**A.Y. McDonald Mfg. Co.**  
4800 Chavenelle Rd  
Dubuque, IA 52002

**Toll Free: 1-800-292-2737**  
sales@aymcdonald.com  
[aymcdonald.com](http://aymcdonald.com)

# SUBMITTAL DATA SHEET

NL Ball Style Corporation Stop – 74701B-22

AWWA/CC x -22 CTS Compression



A.Y. McDonald considers the information on this assembly drawing correct when published. Item and option availability, including specifications, are subject to change without notice.