

SUBMITTAL DATA SHEET

Pump Repair Parts

1000 / 1500 Series Repair Parts

Description	3/4 HP 1075 & 1575	1 HP 1010 & 1510	3/4 HP 1075SW & 1575SW	1 HP 1010SW & 1510SW	1 1/2 HP 1015SW & 1515SW
1 Motor	6127-154	6127-160	6127-154	6127-160	6127-156
2 Brass Impeller	6316-209	6316-208	6316-210	6316-209	6316-208
2 Plastic Impeller	6316-251	6316-250	6316-252	6316-251	6316-250

Part #	Ref #	Description	Part #	Ref #	Description
3100-545	3	Diffuser capscrews	6127-336	13	Impeller spacer kit*
6316-228	4	Impeller Key	3126-126	14	1/4" Plug
6316-213	5	Cover gasket	6316-217	15	2nd diffuser
3104-131	6	Impeller locknut	3100-530	16	Pump foot capscrews
3126-103	7	1/8" plug	6422-103	17	Shaft Seal
6316-227	8	Diffuser Cover kit*	6127-334	18	Shaft assembly
6316-216	9	1st Diffuser	6316-241	19	Adapter
3121-509	10	Drive pin (supplied w/1 diffuser)	3100-529	20	Capscrews (10)
6316-235	11	1500 Series body assembly	6152-207	21	Body Gasket
6127-248	12	1500 Series pump foot			

Shallow Well Jet Package

Venturi
Assembly

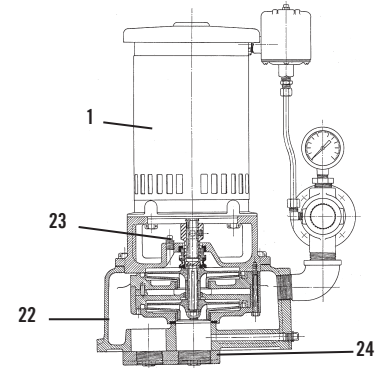
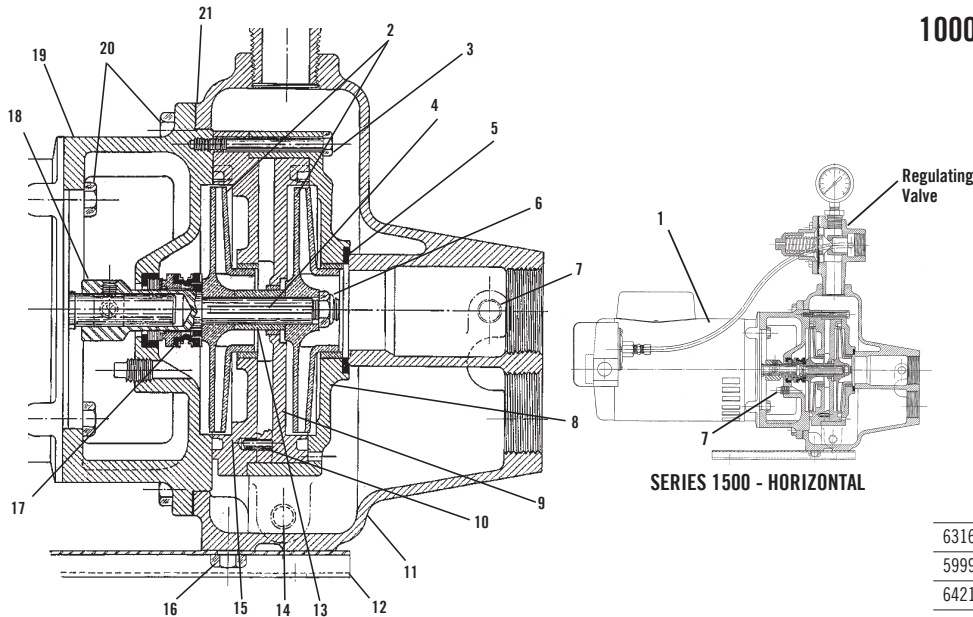
Models	HP	Part #
659JP	3/4	6155-314
658JP	1	6155-316
652JP	1 1/2	6155-212

Deep Well Jet Package (2003 & Newer)

Venturi Nozzle

Models	Part #	Part #
7109MP & 7125MP	6414-207	5999-911
7110MP & 7126MP	6413-203	6128-201
7111MP & 7127MP	6421-217	5999-911
7112MP & 7128MP	6421-219	5999-913
7113MP & 7129MP	6414-208	5999-912
7114MP & 7130MP	6414-208	5999-911

1000 Series Repair Parts



SERIES 1000 - VERTICAL

Part #	Ref #	Description
6316-234	22	1000 Series body assembly
5999-902	23	Series vent cock (1000 Series)
6421-124	24	Flange assembly+

+For 1000 series, sold separately.

NO-LEAD: The weighted average of the wetted surface of this no-lead product contacted by consumable water contains less than one quarter of one percent (0.25%) lead.



A.Y. McDonald Mfg. Co.
4800 Chavenelle Rd
Dubuque, IA 52002

Toll Free: 1-800-292-2737
sales@aymcdonald.com
aymcdonald.com

A.Y. McDonald considers the information on this assembly drawing correct when published. Item and option availability, including specifications, are subject to change without notice.

Submitted by: