

SUBMITTAL DATA SHEET

Sump, Sewage, & Effluent Pumps
DuraMAC™ | Guardian

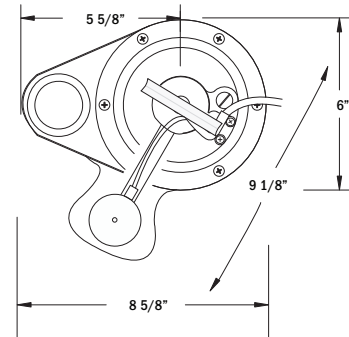
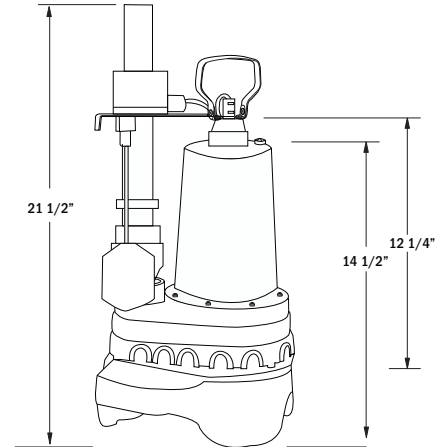
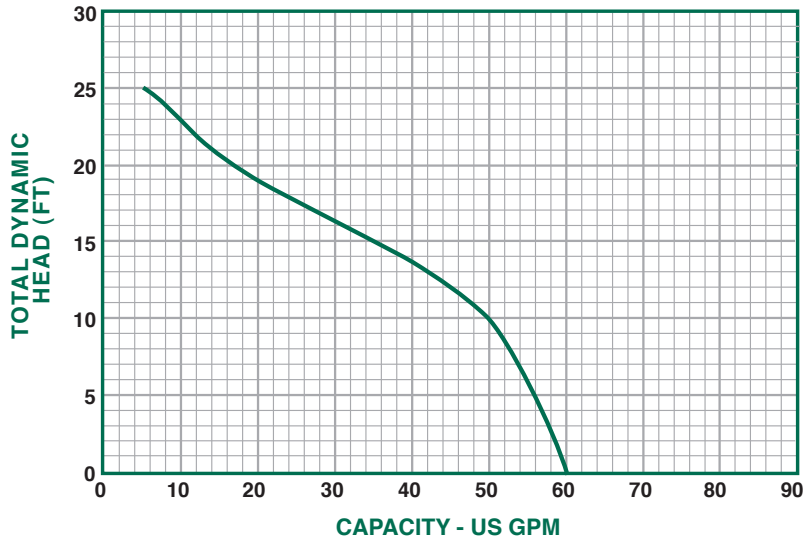
5033CVSPEZ Sump Pump



See Pumps & Accessories
Price List for Limited
Warranty details.

With its rugged cast iron construction and strong plastic base, the 5033CVSPEZ can handle up to 60 gallons per minute (GPM). It is pre-plumbed with a check valve and discharge pipe. Easy to install - everything you need comes in one box.

Performance Curve



Performance

Model	Gallons per Minute in Feet					
	0	5	10	15	20	25
5033CVSP	60	56	50	35	15	6

Specifications

Part No.	Model No.	HP	Volts	Hz	Amps	Construction	Discharge Size	Cord Length	Solids Handling	RPM	Phase	Wt.
6190-153	5033CVSPEZ	1/3	120	60	5.9	Cast Iron	1 1/2"	10'	1/2"	3450	1	28

SUBMITTAL INFORMATION

- Pump is mounted to the base to prevent clogging and switch malfunction
- Split Capacitor Motor - 1/3 HP continuous duty, thermal protected
- Lifts water up to 25' of vertical height
- 10' power cord, 25' cords are available for an additional charge
- Large 1 1/2" discharge for high capacity pumping
- Clog resistant impeller
- Vertical float switch
- Pre-plumbed

NO-LEAD: The weighted average of the wetted surface of this no-lead product contacted by consumable water contains less than one quarter of one percent (0.25%) lead.



A.Y. McDonald Mfg. Co.
4800 Chavenelle Rd
Dubuque, IA 52002

Toll Free: 1-800-292-2737
sales@aymcdonald.com
aymcdonald.com

A.Y. McDonald considers the information on this assembly drawing correct when published. Item and option availability, including specifications, are subject to change without notice.

Submitted by: