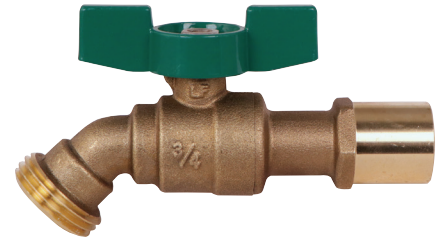


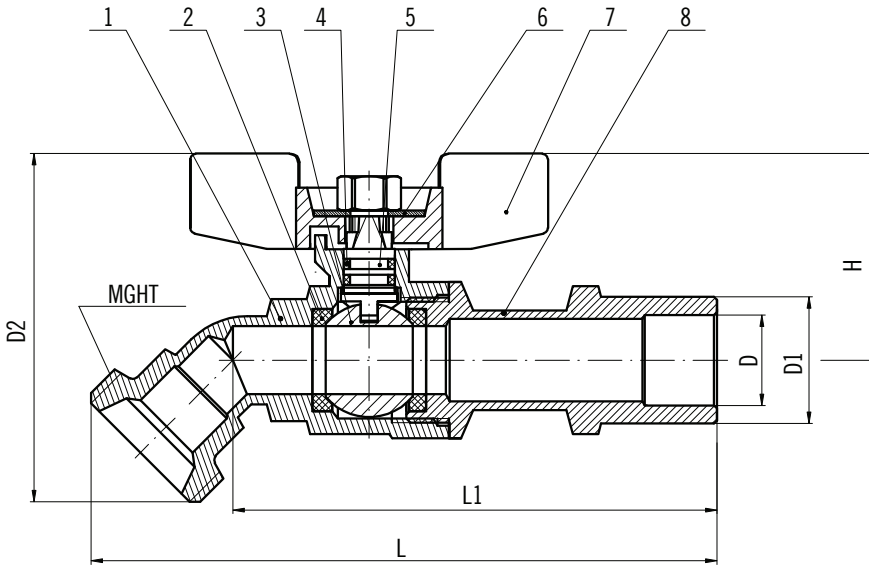
# SUBMITTAL DATA SHEET

## No-Lead Low Pressure Valves No-Kink Hose Bibb – 72007BVS

SWT x MGHT



A.Y. McDonald Mfg. Co. No-Lead Low Pressure Valves are constructed from heavy duty no-lead brass and are recommended for residential and commercial applications and positive shut-off with various inlet configurations.



### Materials

No.	Part	Material	QTY
1	Valve body	No-Lead Brass (C46500)	1
2	Seal ring	PTFE	2
3	Ball	No-Lead Brass (C46500)	1
4	O-ring	NBR	2
5	Stem	No-Lead Brass (C46500)	1
6	Label	Aluminum	1
7	Handle	Aluminum	1
8	Contact nipple	No-Lead Brass (C46500)	1

### Dimensions

Model	Size	D	D1	D2	L	L1	H	WT.
72007BVS	1/2" & 3/4"	0.627	0.876	2.461	4.350	2.815	1.476	0.51

### SUBMITTAL INFORMATION

- Sizes: 1/2" & 3/4"
- 125 WOG
- MGHT (3/4" - 11.5NH Thread) ASME B1.20.7
- Quarter Turn Operation
- Pressure Rating: 250 PSI



NO-LEAD: The weighted average of the wetted surface of this no-lead product contacted by consumable water contains less than one quarter of one percent (0.25%) lead.



**A.Y. McDonald Mfg. Co.**  
4800 Chavenelle Rd  
Dubuque, IA 52002

**Toll Free: 1-800-292-2737**  
sales@aymcdonald.com  
aymcdonald.com

A.Y. McDonald considers the information on this assembly drawing correct when published. Item and option availability, including specifications, are subject to change without notice.

**Submitted by:**