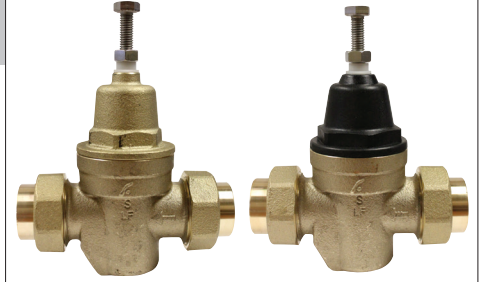


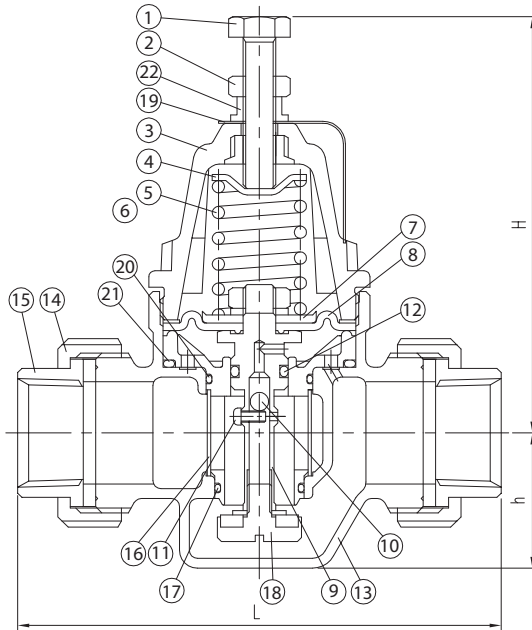
# SUBMITTAL DATA SHEET

## No-Lead Pressure Reducing Valves - 72602T & 72602TPC

FNPT Union x FNPT Union



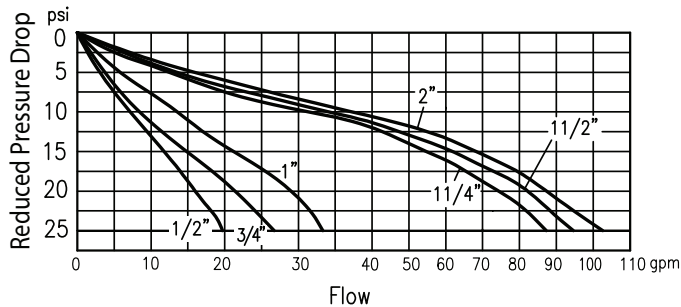
A.Y. McDonald Mfg. Co. compact Water Pressure Reducing Valves are designed to protect a water supply system and its components by reducing water pressure to a reasonable and safe level. With their versatility of installation and many design features, these valves can be used for numerous water system applications.



### Materials

No.	Part	Material
1	Adjustment Bolt	Stainless-Steel
2	Lock Nut	Stainless-Steel
3	Bonnet	Brass or Plastic
4	Spring Disc	Stainless-Steel
5	Spring	Stainless-Steel
6	Diaphragm Nut	Stainless-Steel
7	Diaphragm Disc	Stainless-Steel
8	Diaphragm	NBR & Nylon
9	Stem	ASTM C46400
10	Rubber Ball	NBR
11	Rubber Ball Screw	Stainless-Steel
12	Stem O-ring	NBR
13	Body	No-Lead Brass
14	Union Nut	Brass
15	Union	No-Lead Brass
16	Strainer	Stainless-Steel
17	Seat O-ring	NBR
18	Plunger	No-Lead Brass
19	Name Plate	Aluminum
20	Sleeve O-ring	NBR
21	Sleeve Upper O-ring	NBR
22	Plastic Ring	POM (only for PVC bonnet)

### Capacity:



### Dimensions

Part No.	Model No.	Size	L	H	h
5424-047	72602T	3/4"	4.65"	3.94"	1.30"
5424-496	72602TPC				
5424-048	72602T	1"	5.35"	3.94"	1.34"
5424-497	72602TPC				
5427-035	72602T	1 1/4"	5.79"	7.44"	1.22"
5427-036	72602T	1 1/2"	5.98"	7.44"	1.42"
5427-037	72602T	2"	6.29"	7.44"	1.65"

### SUBMITTAL INFORMATION

- Available Sizes:  
72602T - 3/4", 1", 1 1/4", 1 1/2", and 2"  
72602TPC - 3/4" and 1"
- Adjustable outlet pressure range: 25 to 75 PSI
- Cold Working Pressure (CWP): 300 PSI

- Maximum Service Temperature: 180°F
- Factory preset at 50 PSI outlet pressure
- Equipped with an Thermal Expansion Bypass
- Integral strainer
- Installed vertically or horizontally

#### Compliance:

- ASSE 1003 
- NSF/ANSI/CAN 61 & 372 

**NO-LEAD:** The weighted average of the wetted surface of this no-lead product contacted by consumable water contains less than one quarter of one percent (0.25%) lead.



**A.Y. McDonald Mfg. Co.**  
4800 Chavenelle Rd  
Dubuque, IA 52002

**Toll Free: 1-800-292-2737**  
sales@aymcdonald.com  
aymcdonald.com

A.Y. McDonald considers the information on this assembly drawing correct when published. Item and option availability, including specifications, are subject to change without notice.

**Submitted by:**