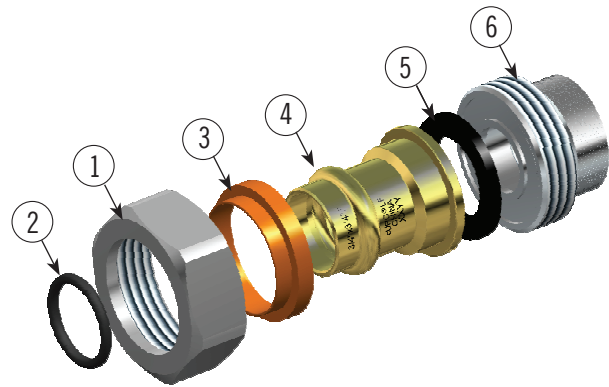
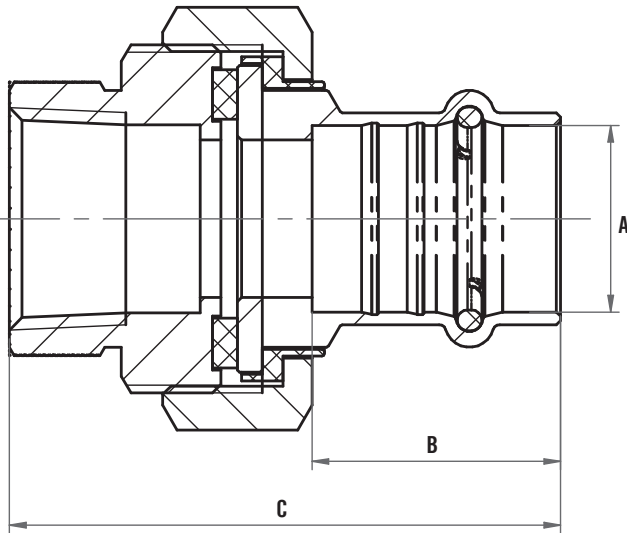
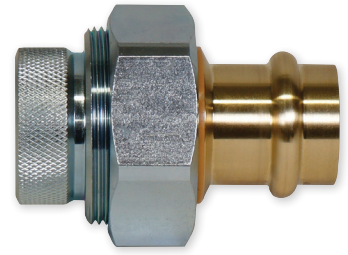


# SUBMITTAL DATA SHEET

No-Lead  
Dielectric Union – 71910FB  
Steel FNPT x Brass CTS (Press Fit)



## Dimensions

Part No.	Model No.	Size	A	B	C
5419-400	71910FB	3/4"	0.89"	1.18"	2.64"

## Materials

No.	Part	Material
1	Hex Nut	Steel
2	O-Ring	EPDM
3	Washer	POM
4	Press Fit	No-Lead Brass (C46500)
5	Rubber Gasket	EPDM
6	Connection Cap	Steel

## SUBMITTAL INFORMATION

- Available Sizes: 3/4"
- Temperature Rating: 32°F to 200°F
- Pressure Rating: 250 PSI
- For use whenever dissimilar metals are used in a piping system to prevent deterioration from corrosion due to stray currents



**A.Y. McDonald Mfg. Co.**  
4800 Chavenelle Rd  
Dubuque, IA 52002

**Toll Free: 1-800-292-2737**  
sales@aymcdonald.com  
aymcdonald.com

A.Y. McDonald considers the information on this assembly drawing correct when published. Item and option availability, including specifications, are subject to change without notice.

**Submitted by:**