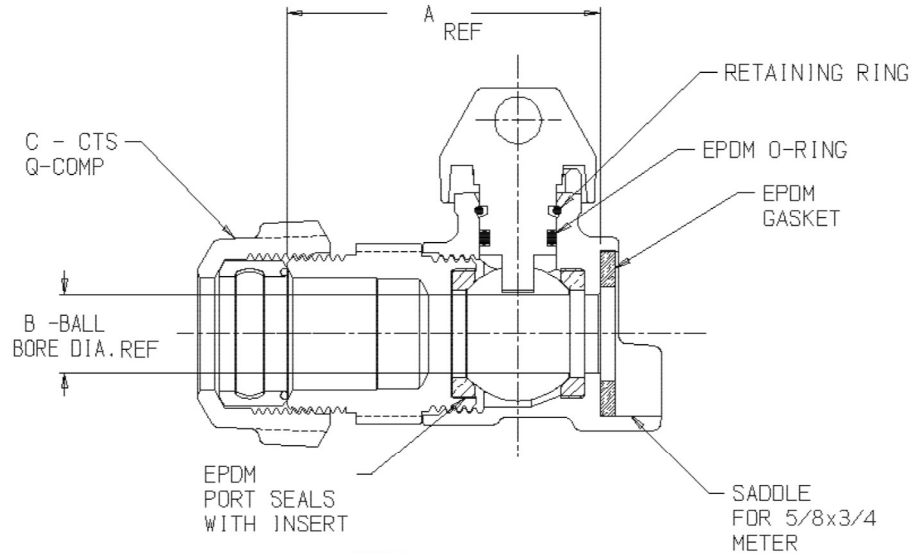


SUBMITTAL DATA SHEET

NL YOKE & LONGBOX – 76100AQ

Q-Compression x Yoke/Long Yokebox Saddle



NOTE:
THIS BALL VALVE CAN ONLY
BE USED IN YOKE AND LONG YOKE
BOX BALL VALVE BASE TRAYS
(IT CAN'T BE USED IN PLUG VALVE
BASE TRAYS)

MODEL	SIZE	A	B	C
76100AQ	3/4 X 5/8 X 3/4	2.52	.63	3/4
76100AQ	1 X 5/8 X 3/4	3.18	.63	1

SUBMITTAL INFORMATION

- Manufactured in compliance with ANSI/AWWA C800 (latest revision)
- Brass components in contact with potable water conform to ASTM B584, UNS C89833 (latest revision) and identified with “NL”
- Brass components not in contact with potable water conform to ASTM B62 and ASTM B584, UNS C83600 -85-5-5-5 (latest revision)
- Designed to provide proper meter spacing for ease of installation
- Large wrench flats provided for proper installation
- Insert stiffeners required on all flexible plastic connections



A.Y. McDonald Mfg. Co.
4800 Chavenelle Rd
Dubuque, IA 52002

Toll Free: 1-800-292-2737
sales@aymcdonald.com
aymcdonald.com

A.Y. McDonald considers the information on this assembly drawing correct when published. Item and option availability, including specifications, are subject to change without notice.

Submitted by: