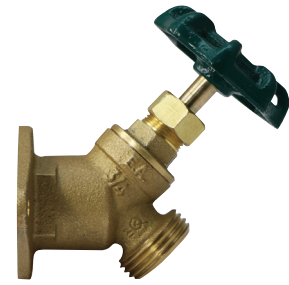


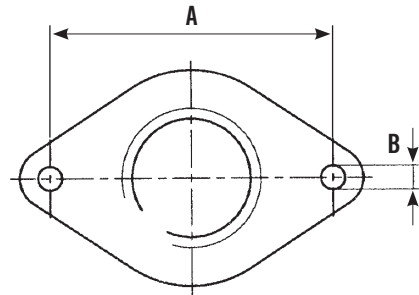
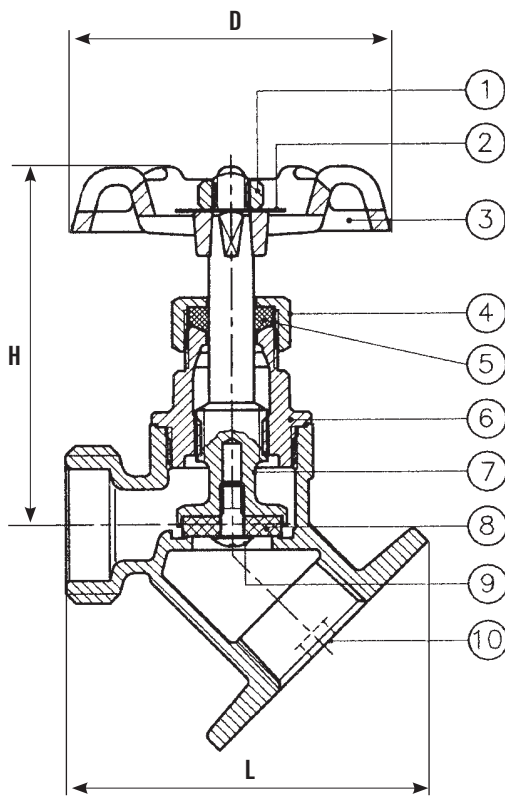
SUBMITTAL DATA SHEET

No-Lead
Angle Sillcock with Wide Flange – 72015WF

FNPT x MGHT



A.Y. McDonald Mfg. Co. No-Lead Low Pressure Valves are constructed from no-lead brass. These shutoff valves are recommended for residential and commercial applications and are available with various inlet configurations.



Materials

No.	Parts	Materials
1	Wheel Nut	Zinc Plated Steel
2	Name Plate	Aluminum
3	Hand Wheel	Cast Iron
4	Packing Nut	Brass
5	Gland Packing	Rubber (NBR)
6	Bonnet	No-Lead Brass
7	Stem	No-Lead Brass
8	Seat Packing	Rubber (NBR)
9	Seat Screw	Brass
10	Body	No-Lead Brass (C46400)

Dimensions

Part No.	Model No.	Description	D	H	L	A	B
5427-108	72015WF	1/2"	2.09	2.40	2.40	2.58	0.22
5427-109	72015WF	3/4"	2.09	2.40	2.40	2.58	0.22

SUBMITTAL INFORMATION

- Available Sizes: 1/2" and 3/4"
- Temperature Rating: 180°F
- Pressure Rating: 125 PSI
- Complies with NSF/ANSI 372-2010

NO-LEAD: The weighted average of the wetted surface of this no-lead product contacted by consumable water contains less than one quarter of one percent (0.25%) lead.



A.Y. McDonald Mfg. Co.
4800 Chavenelle Rd
Dubuque, IA 52002

Toll Free: 1-800-292-2737
sales@aymcdonald.com
aymcdonald.com

A.Y. McDonald considers the information on this assembly drawing correct when published. Item and option availability, including specifications, are subject to change without notice.

Submitted by: