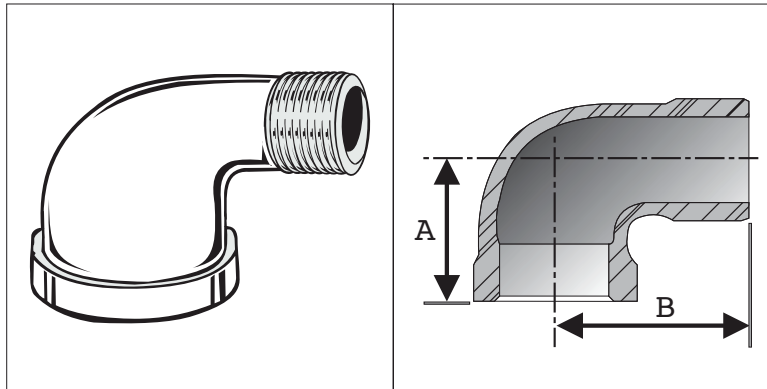


SUBMITTAL DATA SHEET

No-Lead 125LB Threaded Bronze Pipe Fittings
90° Bronze Street Elbow – 72291



A.Y. McDonald Mfg. Co. No-Lead Pipe Fittings & Nipples are constructed from heavy duty bronze and are rated for commercial, industrial and residential applications up to 125 WOG. Threads conform to ANSI B1.20.1 and fitting dimensions comply with ANSI B16.15.



Part No.	Model No.	Size	Dimensions		Case Quantity Master	Case Quantity Inner	Weight Per Pcs.
			A	B			
5424-194	72291	1/8"	0.55	0.91	600	5	0.07
5422-049	72291	1/4"	0.71	1.10	600	5	0.10
5422-050	72291	3/8"	0.83	1.22	300	5	0.14
5422-051	72291	1/2"	1.02	1.50	200	5	0.24
5422-052	72291	3/4"	1.18	1.65	100	5	0.33
5422-053	72291	1"	1.42	1.97	75	5	0.69
5422-054	72291	1 1/4"	1.69	2.24	40	5	1.06
5422-055	72291	1 1/2"	1.85	2.44	35	5	1.28
5422-056	72291	2"	2.13	2.87	20	2	1.95

SUBMITTAL INFORMATION

- No-Lead Bronze Alloy
- **Materials**
C89833, AWWA C800, ASTM B584
- **Fitting Dimensions**
ANSI B 16.15, Class 125
- **Union Dimensions**
WWW-U-516-B
- **Threads**
ANSI / ASME B1.20.1

NO-LEAD: The weighted average of the wetted surface of this no-lead product contacted by consumable water contains less than one quarter of one percent (0.25%) lead.



A.Y. McDonald Mfg. Co.
4800 Chavenelle Rd
Dubuque, IA 52002

Toll Free: 1-800-292-2737
sales@aymcdonald.com
aymcdonald.com

A.Y. McDonald considers the information on this assembly drawing correct when published. Item and option availability, including specifications, are subject to change without notice.

Submitted by: