

# SUBMITTAL DATA SHEET

PVC Pit Only - 89-PIT 18x

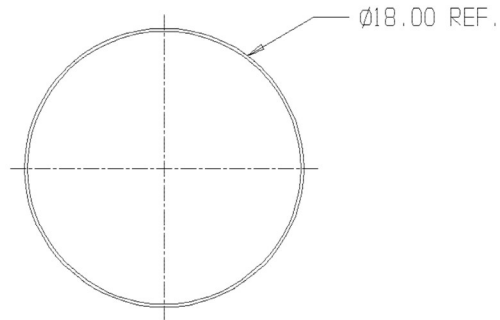
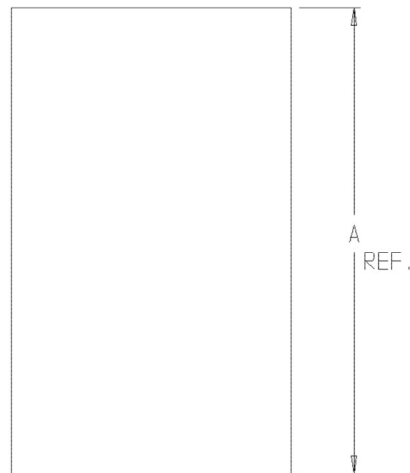


PLATE NUMBER	DIM A
89-PIT 18X12	12
89-PIT 18X18	18
89-PIT 18X24	24
89-PIT 18X30	30
89-PIT 18X36	36
89-PIT 18X42	42
89-PIT 18X48	48
89-PIT 18X54	54
89-PIT 18X60	60
89-PIT 18X66	66
89-PIT 18X72	72



## SUBMITTAL INFORMATION

- Heavy wall PVC shell - .366 wall



**A.Y. McDonald Mfg. Co.**  
 4800 Chavenelle Rd  
 Dubuque, IA 52002

**Toll Free: 1-800-292-2737**  
[sales@aymcdonald.com](mailto:sales@aymcdonald.com)  
[aymcdonald.com](http://aymcdonald.com)

A.Y. McDonald considers the information on this assembly drawing correct when published. Item and option availability, including specifications, are subject to change without notice.

**Submitted by:**