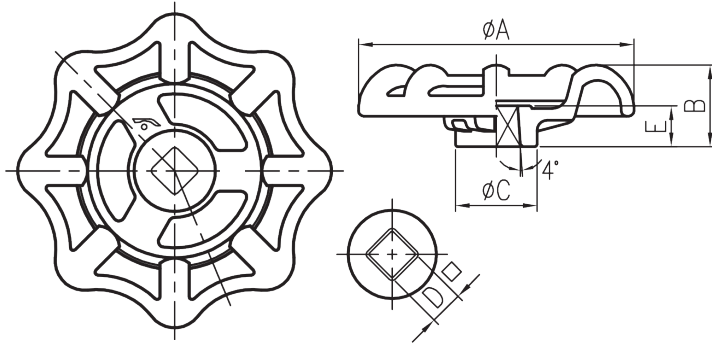


SUBMITTAL DATA SHEET

Gate Valve Repair Handle Gate Valve Repair Handle – 2035H



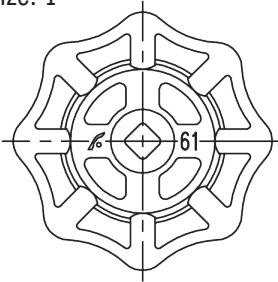
Size: 3/4"



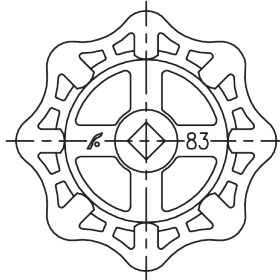
Dimensions

Part No.	Handle Size	A	B	C	D	E
4420-009	3/4"	2.13"	0.63"	0.63"	0.24"	0.31"
4420-010	1"	2.41"	0.75"	0.71"	0.26"	0.35"
4420-011	1 1/2"	3.03"	0.83"	0.79"	0.31"	0.41"
4420-012	2"	3.27"	0.87"	0.87"	0.33"	0.41"
4420-014	3"	4.41"	1.18"	1.18"	0.49"	0.59"
	3" - 2035T	5.20"	1.34"	1.34"	0.49"	0.67"
4420-015	4"	6.77"	1.02"	1.38"	0.57"	0.67"

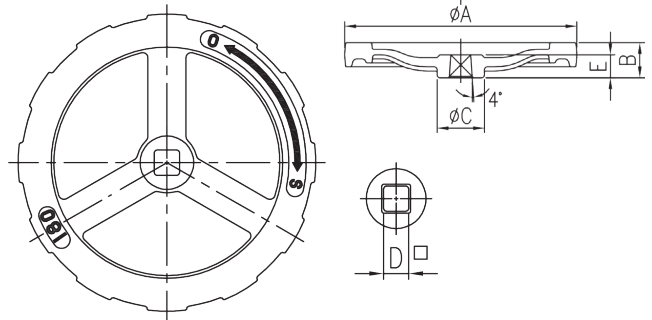
Size: 1"



Size: 1 1/2", 2" & 3"



Size: 4"



Handles can be used on Models 72004, 2008, 72008, 72014, 72015, 72017, 72018, 72022, 72023, 72034, 2035 & 72035.
For correct fit, order as shown on chart below.

Dimensions

Handle Size	72004 / 72008	2008	72014 / 72015	72017 / 72018	72019	72022 / 72023	72034T / 72034S	72034SP	72035T / 2035T / 72035S
3/4"	1/2", 3/4"	3/4"	1/2", 3/4"	1/2", 3/4"	3/4"	1/2", 3/4"	1/2" - 1"	3/4"	1/4" - 3/4"
1"							1 1/4" - 1 1/2"		1"
1 1/2"							2"		1 1/4", 1 1/2"
2"							3"		2 1/2"
3"									3"
4"							4"		4"

NO-LEAD: The weighted average of the wetted surface of this no-lead product contacted by consumable water contains less than one quarter of one percent (0.25%) lead.



A.Y. McDonald Mfg. Co.
4800 Chavenelle Rd
Dubuque, IA 52002

Toll Free: 1-800-292-2737
sales@aymcdonald.com
aymcdonald.com

A.Y. McDonald considers the information on this assembly drawing correct when published. Item and option availability, including specifications, are subject to change without notice.

Submitted by: