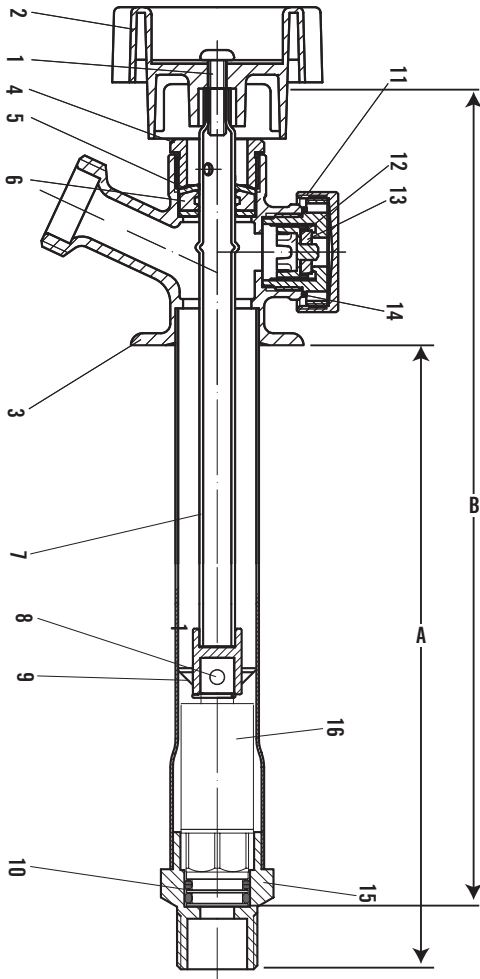


# SUBMITTAL DATA SHEET

No-Lead  
Frostproof Sillcock with Vacuum Breaker - 72011QT  
1/2" MNPT or SWT x MGHT



A.Y. McDonald Mfg. Co. No-Lead Frostproof Sillcocks provide a year round source of water to areas of structures that are subject to freezing temperatures. The hydrant valve is connected to supply piping in the heated portion of the structure, eliminating the possibility of freezing.



## Materials

No.	Part	Material
1	Screw	No-Lead Brass
2	Handle	Aluminum
3	Valve Body	No-Lead Brass
4	Stem Holder	No-Lead Brass
5	Washer	Stainless-Steel
6	Packing	Rubber
7	Stem	No-Lead Brass
8	Set Screw	Stainless-Steel
9	Packing	Rubber
10	O-Ring	Viton
11	VB Cover	No-Lead Brass
12	Stem	POM
13	Seat	Rubber
14	O-Ring	Rubber
15	Adapter	No-Lead Brass
16	Cartridge	No-Lead Brass

## Dimensions

Part No.	Model No.	Size	A	B
5424-476	72011QT	1/2" x 4"	5"	7 3/16"
5424-477	72011QT	1/2" x 6"	7"	9 1/2"
5424-478	72011QT	1/2" x 8"	9"	11 1/16"
5424-479	72011QT	1/2" x 10"	11"	13 1/16"
5424-480	72011QT	1/2" x 12"	13"	15 1/8"
5424-481	72011QT	1/2" x 14"	15"	17 1/8"

## SUBMITTAL INFORMATION

- Quarter Turn Operation
- 125 PSI
- Lengths: 4", 6", 8", 10", 12", 14"
- Chrome Plated Body
- Complies with NSF/ANSI 61-2012 ASSE 1019-2004

NO-LEAD: The weighted average of the wetted surface of this no-lead product contacted by consumable water contains less than one quarter of one percent (0.25%) lead.



A.Y. McDonald Mfg. Co.  
4800 Chavenelle Rd  
Dubuque, IA 52002

Toll Free: 1-800-292-2737  
sales@aymcdonald.com  
aymcdonald.com

A.Y. McDonald considers the information on this assembly drawing correct when published. Item and option availability, including specifications, are subject to change without notice.

Submitted by: