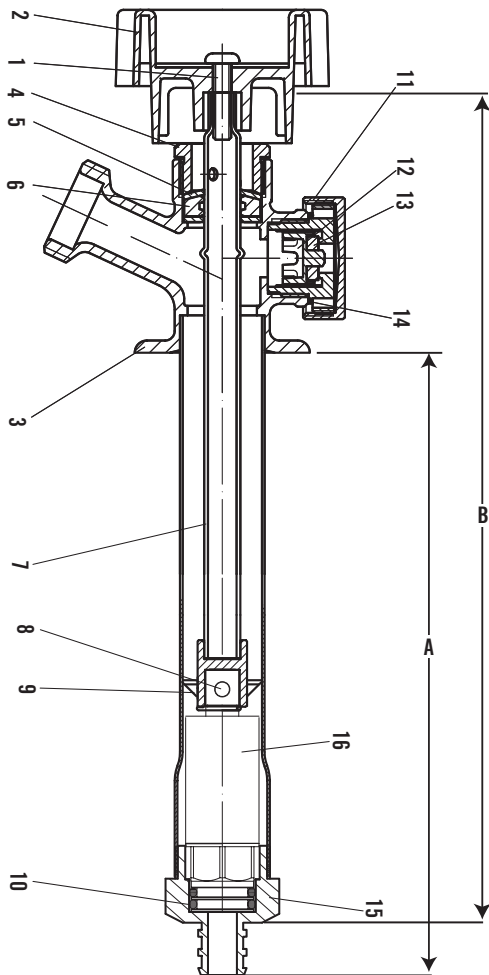


SUBMITTAL DATA SHEET

No-Lead
Frostproof Sillcock with Vacuum Breaker - 72011PQT
1/2" Pex x MGHT



A.Y. McDonald Mfg. Co. No-Lead Frostproof Sillcocks provide a year round source of water to areas of structures that are subject to freezing temperatures. The hydrant valve is connected to supply piping in the heated portion of the structure, eliminating the possibility of freezing.



Materials

No.	Part	Material
1	Screw	No-Lead Brass
2	Handle	Aluminum
3	Valve Body	No-Lead Brass
4	Stem Holder	No-Lead Brass
5	Washer	Stainless-Steel
6	Packing	Rubber
7	Stem	No-Lead Brass
8	Set Screw	Stainless-Steel
9	Packing	Rubber
10	O-Ring	Viton
11	VB Cover	No-Lead Brass
12	Stem	POM
13	Seat	Rubber
14	O-Ring	Rubber
15	Adapter	No-Lead Brass
16	Cartridge	No-Lead Brass

Dimensions

Part No.	Model No.	Size	A	B
5424-482	72011PQT	1/2" x 4"	5"	7 3/16"
5424-483	72011PQT	1/2" x 6"	7"	9 1/2"
5424-484	72011PQT	1/2" x 8"	9"	11 1/16"
5424-485	72011PQT	1/2" x 10"	11"	13 1/16"
5424-486	72011PQT	1/2" x 12"	13"	15 1/8"
5424-487	72011PQT	1/2" x 14"	15"	17 1/8"

SUBMITTAL INFORMATION

- Quarter Turn Operation
- 125 PSI
- Lengths: 4", 6", 8", 10", 12", 14"
- Chrome Plated Body
- Complies with NSF/ANSI 61-2012 ASSE 1019-2004

NO-LEAD: The weighted average of the wetted surface of this no-lead product contacted by consumable water contains less than one quarter of one percent (0.25%) lead.



A.Y. McDonald Mfg. Co.
4800 Chavenelle Rd
Dubuque, IA 52002

Toll Free: 1-800-292-2737
sales@aymcdonald.com
aymcdonald.com

A.Y. McDonald considers the information on this assembly drawing correct when published. Item and option availability, including specifications, are subject to change without notice.

Submitted by: