

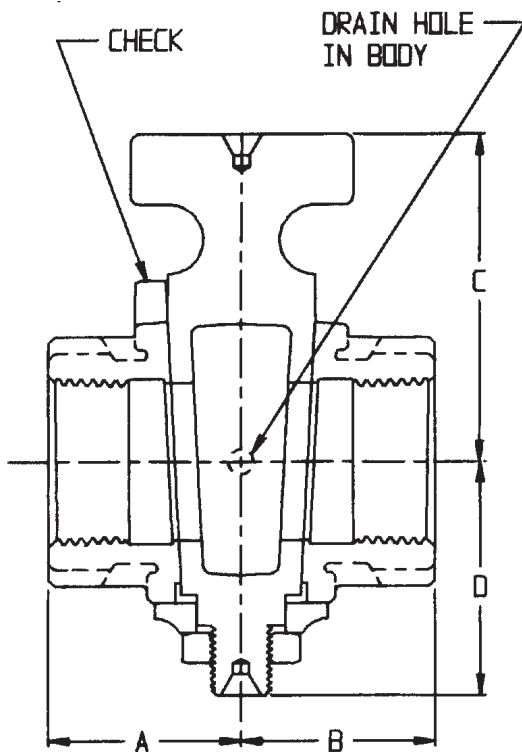
SUBMITTAL DATA SHEET

No-Lead Domestic Specialty Valves & Fittings
Tee Head Stop & Drain Plug Valve with Check – 72892

FNPT x FNPT



A.Y. McDonald Mfg. Co. carries a full line of No-Lead Industrial & Specialty valves and fittings. Refer to the parts description for proper application. Made in USA.



Dimensions

Part No.	Model No.	Size	A	B	C	D
5215-152	72892	1/2"	1.07	1.07	1.75	1.06
5215-153	72892	3/4"	1.19	1.19	2.05	1.45
5215-154	72892	1"	1.48	1.48	3.03	1.72
5215-155	72892	1 1/4"	1.61	1.61	2.78	2.03

SUBMITTAL INFORMATION

- 40 PSI
- Sizes: 1/2" - 1 1/4"
- No-Lead Cast Bronze Construction
- Threads conform to ANSI B1.20.1
- Water Only
- For above ground use only

NO-LEAD: The weighted average of the wetted surface of this no-lead product contacted by consumable water contains less than one quarter of one percent (0.25%) lead.



A.Y. McDonald Mfg. Co.
4800 Chavenelle Rd
Dubuque, IA 52002

Toll Free: 1-800-292-2737
sales@aymcdonald.com
aymcdonald.com

A.Y. McDonald considers the information on this assembly drawing correct when published. Item and option availability, including specifications, are subject to change without notice.

Submitted by: