

# SUBMITTAL DATA SHEET

## Curb Boxes – 5665SS

Stainless Steel Stationary Rod and Clamp Assembly

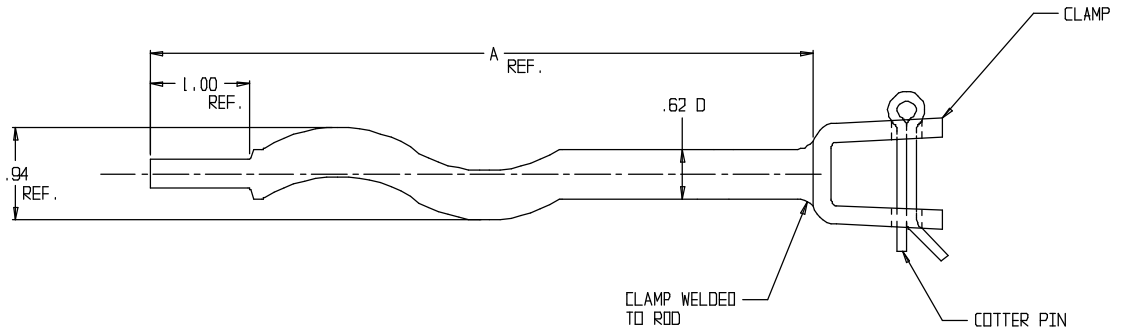
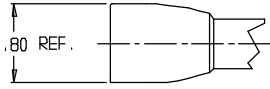


PLATE #	A	SETTING
5665SS	12"	2.5'
5665SS	18"	3'
5665SS	24"	3.5'
5665SS	30"	4'
5665SS	36"	4.5'
5665SS	42"	5'
5665SS	45"	5.25'
5665SS	48"	5.5'
5665SS	54"	6'
5665SS	60"	6.6'
5665SS	66"	7'
5665SS	72"	7.5'
5665SS	78"	8'

### SUBMITTAL INFORMATION



**A.Y. McDonald Mfg. Co.**  
4800 Chavenelle Rd  
Dubuque, IA 52002

**Toll Free: 1-800-292-2737**  
sales@aymcdonald.com  
[aymcdonald.com](http://aymcdonald.com)

A.Y. McDonald considers the information on this assembly drawing correct when published. Item and option availability, including specifications, are subject to change without notice.

**Submitted by:**