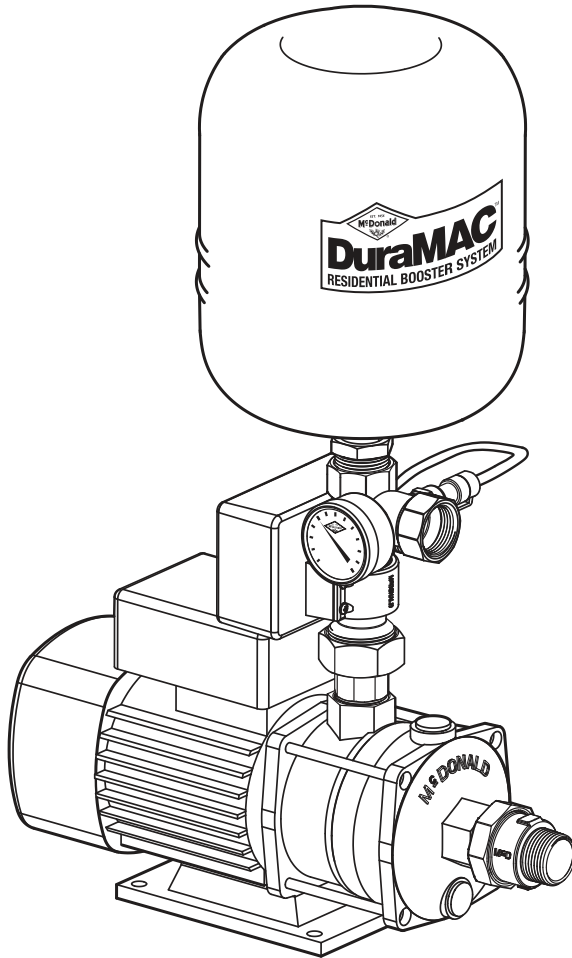




**DuraMAC™ Water Pressure Booster System**

**17035R020PC1, 17052R020PC1, 17070R020PC2**  
**Water Pressure Booster Systems**

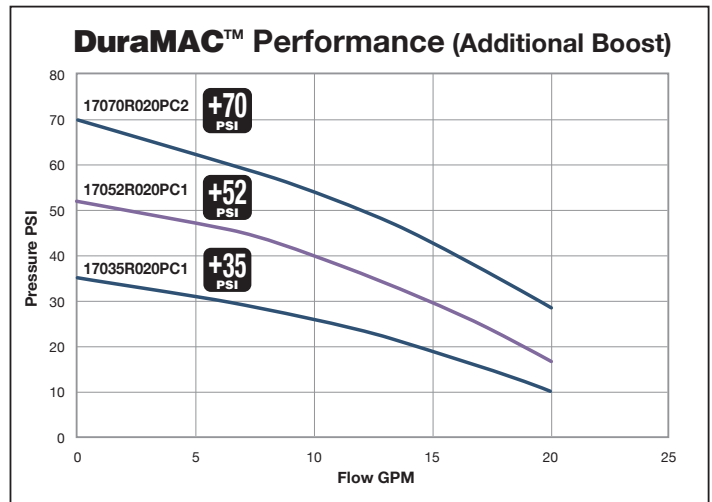


**Features**

- Water Pressure Boosting System for residential or light commercial use
- Easy Set-up and Installation
- Digital Control with three modes of operation
- Durable Stainless Steel and No-Lead Brass Connections
- Two Gallon Pressure Tank
- TEFC Single Phase Motor for quiet operation
- Electronics separated and sealed from waterway
- Pressure Gauge Included
- No-Lead Brass Check Valve Included
- Dry-Run Protection

**Materials of Construction**

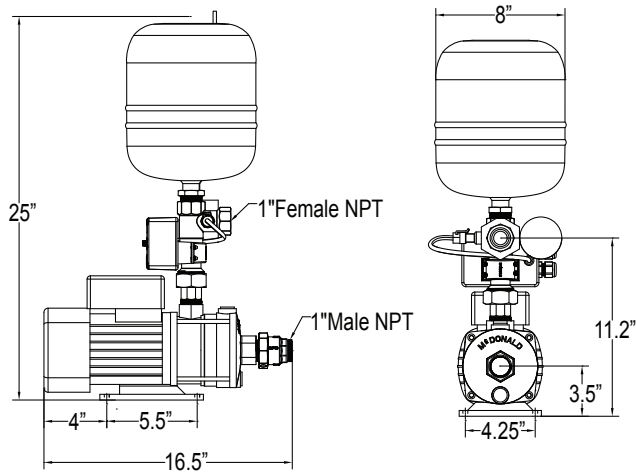
Impellers	304 Stainless Steel
Pump Casing Inlet	301 Stainless Steel
Pump Casing Outlet	301 Stainless Steel
Pump Seal (stationary)	Silicon Carbide
Pump Seal (rotating)	Carbon
Diffuser	304 Stainless Steel
Suction Check Valve	No-Lead Brass
Pump Controller	No-Lead Brass



**Specifications**

DuraMAC™ Model	Pump Boost	Amps	Voltage	Power	*Maximum incoming pressure
17035R020PC1	35 psi	5.5	120 - 60 Hz	½ HP	45 psi
17052R020PC1	52 psi	7.0	120 - 60 Hz	¾ HP	28 psi
17070R020PC2	70 psi	4.0	230 - 60 Hz	1 HP	10 psi (for use with holding tank)

# Dimensional Information

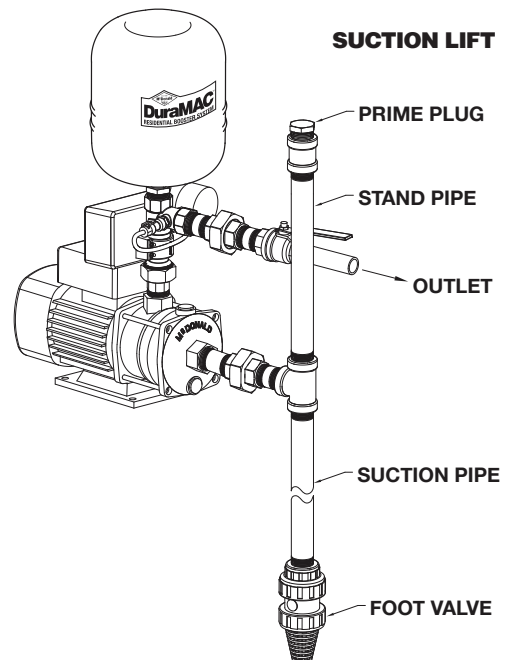
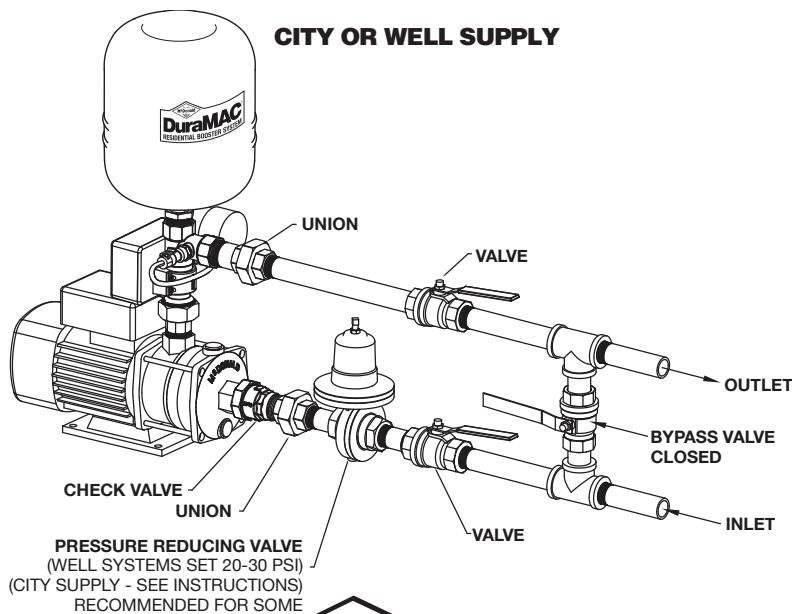


# Sizing Chart

Total static pressure **DuraMAC™** pump

Incoming Pressure (PSI)	17035R020PC1 <b>+35</b>	17052R020PC1 <b>+52</b>	17070R020PC2 <b>+70</b>
60			
55	90	<b>NOT RECOMMENDED</b>	
50	85		
45	80		
40	75		
35	70		
30	65	87	
25	60	82	
20	55	77	90
15	50	72	85
10	45	67	80

# Typical Installation



# Sizing Information

**DuraMAC™ Booster Systems** are designed to shut off when no flow is detected. Pump total pressure boost should be added to current household system pressure to determine total system pressure when boosted. Note: It is not recommended to exceed 80 PSI total boosted household pressure.

### Example:

Household system pressure before boost = 30 PSI

$$\begin{array}{r}
 \underline{30} \quad + \quad \underline{\hspace{1cm}} \quad = \quad \underline{\hspace{1cm}} \\
 \text{Household} \quad \text{Total Pump} \quad \text{Total Pressure} \\
 \text{Pressure} \quad \text{Pressure} \quad \text{After Boost}
 \end{array}$$

\*Not Recommended to Exceed 80 PSI

### Models Available: Boost

- 17035R020PC1 +35
- 17052R020PC1 +52
- 17070R020PC2 +70

$$\begin{array}{r}
 \underline{30} \quad + \quad \underline{35} \quad = \quad \underline{65} \\
 \text{Household} \quad \text{Total Pump} \quad \text{Total Pressure} \\
 \text{Pressure} \quad \text{Pressure} \quad \text{After Boost}
 \end{array}$$

Based on this example, the recommended model for this application is the 17035R020PC1.

For systems with fluctuating pressure, a pressure reducing valve is recommended to assure system pressure stays below 80 PSI.



# A. Y. McDonald Mfg. Co.

www.ayboosters.com • www.aymcdonald.com