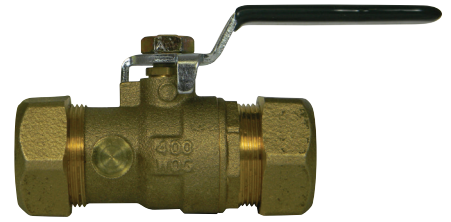


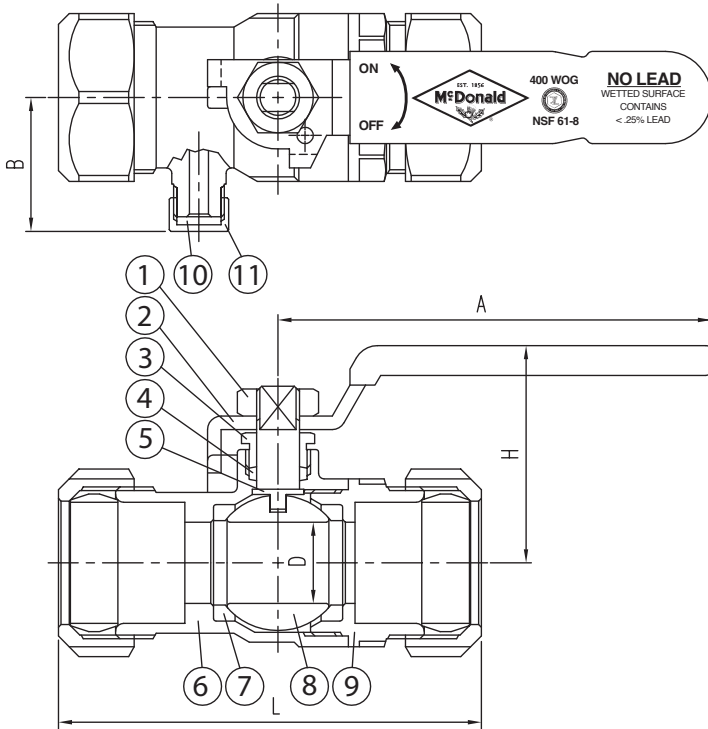
SUBMITTAL DATA SHEET

No-Lead
Standard Port Ball Valve with Drain – 72030C

COMP x COMP



A.Y. McDonald Mfg. Co. Standard Port Ball Valves are constructed of heavy duty no-lead brass and can be used in commercial, industrial and residential applications. This is a standard port valve with excellent flow characteristics.



Materials

No.	Part	Material
1	Nut	Steel
2	Handle	Steel
3	Stem Gland Screw	No-Lead Brass
4	Stem Packing	Teflon
5	Stem	No-Lead Brass
6	Body	No-Lead Brass
7	Ball Disc Packing	Teflon
8	Ball Disc	No-Lead Brass
9	End Plug	No-Lead Brass
10	Drain Packing	Rubber
11	Drain Cup Nut	No-Lead Brass

Dimensions

Size	L	H	D	A	B
1/2"	2.76	1.46	0.39	3.15	0.83
3/4"	2.99	1.57	0.59	3.15	0.98
1"	3.62	1.85	0.74	4.33	1.10

SUBMITTAL INFORMATION

- Sizes: 1/2" - 1"
- 400 WOG
- Blowout proof stem
- NSF/ANSI 61-8 & NSF/ANSI 372

NO-LEAD: The weighted average of the wetted surface of this no-lead product contacted by consumable water contains less than one quarter of one percent (0.25%) lead.



A.Y. McDonald Mfg. Co.
4800 Chavenelle Rd
Dubuque, IA 52002

Toll Free: 1-800-292-2737
sales@aymcdonald.com
aymcdonald.com

A.Y. McDonald considers the information on this assembly drawing correct when published. Item and option availability, including specifications, are subject to change without notice.

Submitted by: