

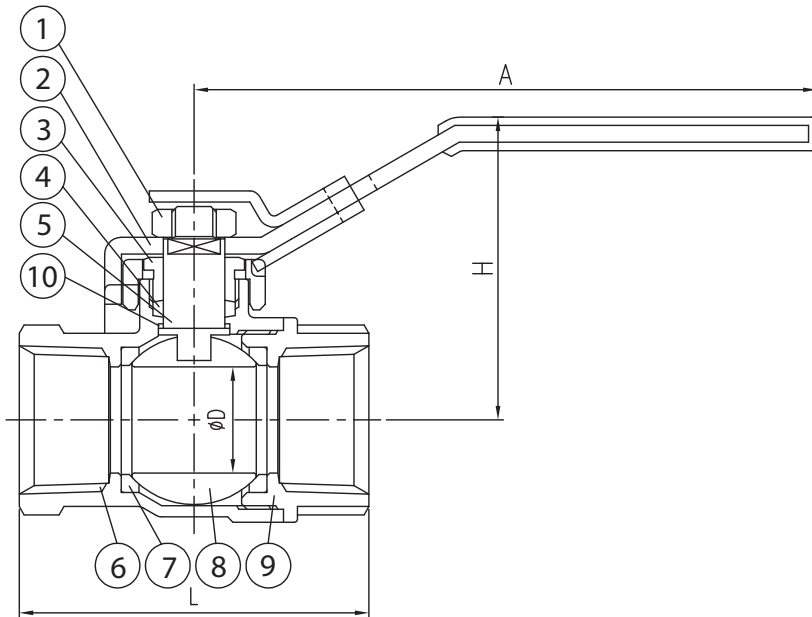
# SUBMITTAL DATA SHEET

No-Lead  
Full Port Ball Valve with Locking Handle – 72032TL

FNPT x FNPT



A.Y. McDonald Mfg. Co. Full Port Ball Valves are constructed of heavy duty no-lead brass and can be used with a full range of liquids and gases in commercial, industrial and residential applications. Full Port valves allow for maximum flow with minimum pressure drop.



## Materials

No.	Part	Material
1	Nut	Steel
2	Handle	Steel
3	Stem Gland Screw	No-Lead Brass
4	Stem Packing	Teflon
5	Stem	No-Lead Brass
6	Body	No-Lead Brass
7	Ball Disc Packing	Teflon
8	Ball Disc	Chrome Plated No-Lead Brass
9	End Plug	No-Lead Brass
10	Thrust Washer	Teflon

## Dimensions

Size	L	H	D	A
1/4"	1.69	1.65	.35	3.27
3/8"	1.81	1.69	.39	3.27
1/2"	2.13	1.73	.50	3.27
3/4"	2.48	2.13	.75	4.41
1"	2.99	2.32	.98	4.41
1 1/4"	3.45	2.68	1.26	5.24
1 1/2"	3.62	2.87	1.50	5.24
2"	4.25	3.58	1.97	7.99

## SUBMITTAL INFORMATION

- 600 WOG
- Blowout proof stem
- Manufactured to MSS-SP-110
- Threads conform to ANSI B1.20.1
- Lockable Handle
- Padlock not included

NO-LEAD: The weighted average of the wetted surface of this no-lead product contacted by consumable water contains less than one quarter of one percent (0.25%) lead.



**A.Y. McDonald Mfg. Co.**  
4800 Chavenelle Rd  
Dubuque, IA 52002

**Toll Free: 1-800-292-2737**  
sales@aymcdonald.com  
aymcdonald.com

A.Y. McDonald considers the information on this assembly drawing correct when published. Item and option availability, including specifications, are subject to change without notice.

**Submitted by:**