

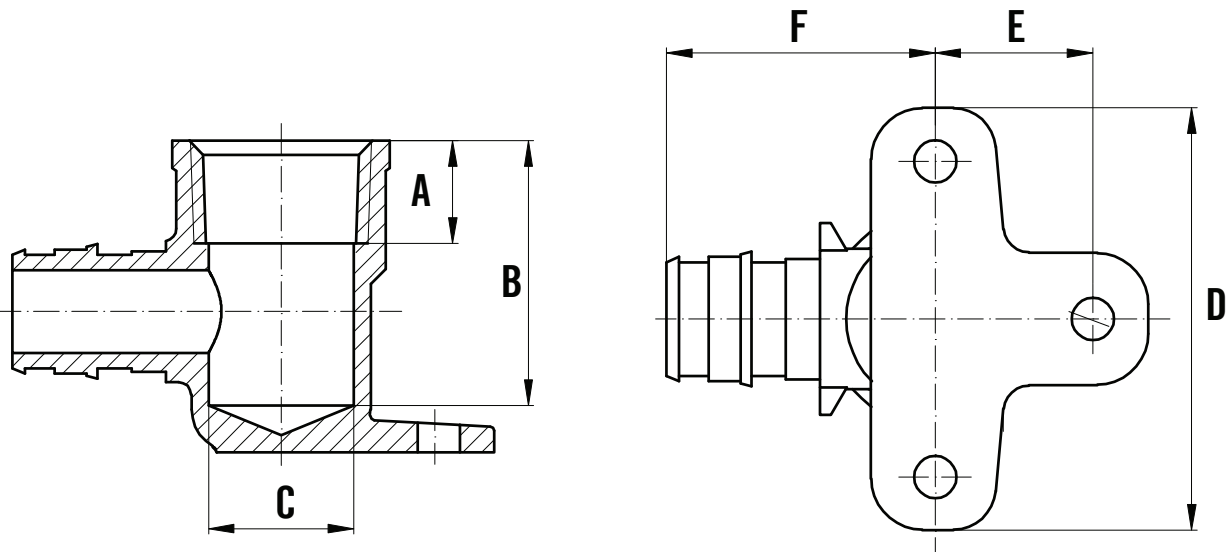
SUBMITTAL DATA SHEET

No-Lead
Brass Expansion Pex Drop Ear Elbow – 72101EXP

Expansion Pex x FNPT



A.Y. McDonald Mfg. Co. No-Lead Drop Ear Elbows creates a 90° connection and allows the transition from Pex tubing to threaded pipe. Drop ear elbows are secured to a stud behind the wall, using the mounting 'ears' which have holes in them. Typically used for installing shower arms and tub spouts, and for use in potable water applications.



Dimensions

Size	A	B	C	D	E	F
1/2"	0.47	1.22	1.08	1.95	0.73	1.24
3/4"	0.55	1.30	0.90	2.20	1.10	1.69

SUBMITTAL INFORMATION

- Sizes: 1/2" and 3/4"
- Pressure Rating: 150 PSI
- Three Ear Design
- Material: No-Lead Brass (C46500)
- Pex end conforms to ASTM F1960



NO-LEAD: The weighted average of the wetted surface of this no-lead product contacted by consumable water contains less than one quarter of one percent (0.25%) lead.



A.Y. McDonald Mfg. Co.
4800 Chavenelle Rd
Dubuque, IA 52002

Toll Free: 1-800-292-2737
sales@aymcdonald.com
aymcdonald.com

A.Y. McDonald considers the information on this assembly drawing correct when published. Item and option availability, including specifications, are subject to change without notice.

Submitted by: