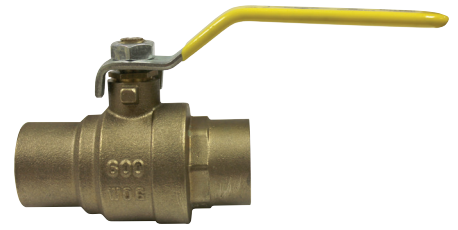


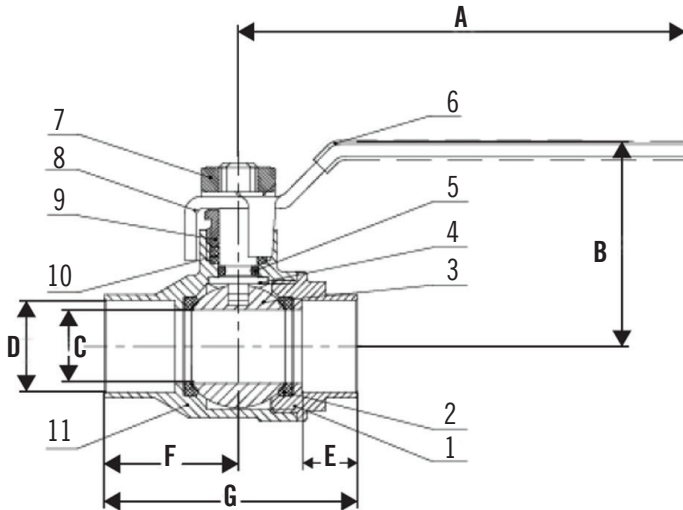
SUBMITTAL DATA SHEET

No-Lead Ball Valves Full Port Ball Valve – 72117S

SWT x SWT



A.Y. McDonald Mfg. Co. carries a full line of No-Lead Ball Valves that are constructed of heavy duty no-lead brass and can be used with a full range of liquids and gases in commercial, industrial and residential applications. Full Port valves allow for maximum flow with minimum pressure drop.



Materials

No.	Part	Material
1	Bonnet	No-Lead Brass
2	Seat Seal	PTFE
3	Ball	No-Lead Forged Brass
4	Stem	No-Lead Brass
5	O-ring	FPM
6	Sleeve	PVC
7	Lock Nut	Steel Zinc Coated
8	Handle	Chrome Plated Steel w/Vinyl Cover
9	Gland Nut	No-Lead Brass
10	Packing	PTFE
11	Body	No-Lead Brass

Dimensions

Size	A	B	C	D	E	F	G
1/2"	3.740	1.779	0.591	0.630	0.496	0.984	1.969
3/4"	3.937	1.779	0.787	0.878	0.752	1.366	2.735
1"	4.330	2.197	0.984	1.128	0.906	1.675	3.346
1 1/4"	5.000	2.790	1.260	1.378	0.965	1.896	3.780
1 1/2"	6.181	3.039	1.575	1.630	1.102	2.213	4.417
2"	6.181	3.337	1.969	2.126	1.339	2.669	5.339
2 1/2"	9.449	4.783	2.559	2.630	1.476	3.118	6.236
3"	9.449	6.142	2.952	3.130	1.673	3.590	7.165

SUBMITTAL INFORMATION

- 600 WOG (1/2" - 2")
- 400 WOG (2 1/2" - 3")
- Working Temperature: -50°F to 200°F
- Blowout proof stem
- Handle has vinyl grip
- Solder ends comply with ANSI B1.20.1



NO-LEAD: The weighted average of the wetted surface of this no-lead product contacted by consumable water contains less than one quarter of one percent (0.25%) lead.



A.Y. McDonald Mfg. Co.
4800 Chavenelle Rd
Dubuque, IA 52002

Toll Free: 1-800-292-2737
sales@aymcdonald.com
aymcdonald.com

A.Y. McDonald considers the information on this assembly drawing correct when published. Item and option availability, including specifications, are subject to change without notice.

Submitted by: