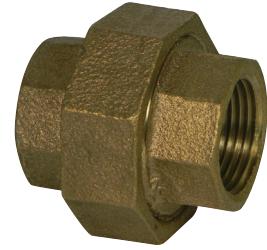


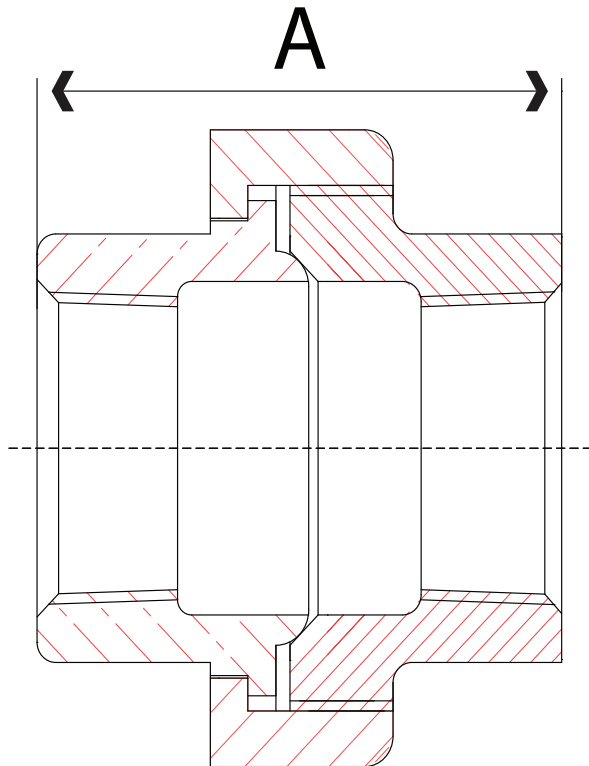
# SUBMITTAL DATA SHEET

No-Lead Threaded Bronze Pipe Fittings  
Bronze Union

72220



A.Y. McDonald Mfg. Co. No-Lead Pipe Fittings are constructed from heavy duty bronze and are rated for commercial, industrial and residential applications up to 125 WOG. Threads conform to ANSI B1.20.1 and fitting dimensions comply with ANSI B16.15.



## Dimensions

Model Number	Size	A	Ctn Qty	Wt.
72220	1/8"	1.26"	5	0.17
72220	1/4"	1.46"	5	0.23
72220	3/8"	1.61"	5	0.37
72220	1/2"	1.73"	5	0.42
72220	3/4"	1.95"	5	0.68
72220	1"	2.07"	5	1.03
72220	1 1/4"	2.26"	5	1.53
72220	1 1/2"	2.42"	5	2.05
72220	2"	2.76"	5	2.20
72220	2 1/2"	3.23"	1	4.44
72220	3"	3.50"	1	7.04
72220	4"	3.86"	1	10.46

## SUBMITTAL INFORMATION

- **Materials**  
C89833, AWWA C800, ASTM B584
- **Fitting Dimensions**  
ANSI B16.15, Class 125
- **Union Dimensions**  
WWW-U-516-B
- **Threads**  
ANSI / ASME B1.20.1

NO-LEAD: The weighted average of the wetted surface of this no-lead product contacted by consumable water contains less than one quarter of one percent (0.25%) lead.



**A.Y. McDonald Mfg. Co.**  
4800 Chavenelle Rd  
Dubuque, IA 52002

**Toll Free: 1-800-292-2737**  
sales@aymcdonald.com  
aymcdonald.com

A.Y. McDonald considers the information on this assembly drawing correct when published. Item and option availability, including specifications, are subject to change without notice.

Submitted by: