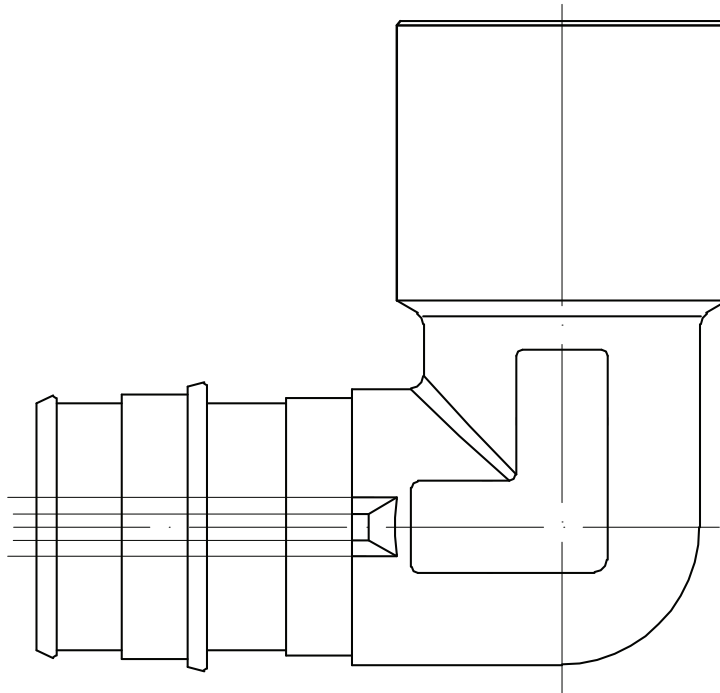
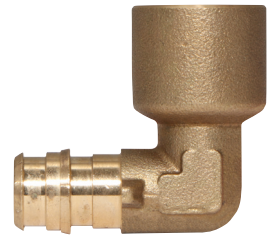


# SUBMITTAL DATA SHEET

No-Lead  
Brass Expansion Pex 90° Female Adapter Elbow - 72392EXSF

Expansion Pex x Female Sweat



## SUBMITTAL INFORMATION

- **Available Sizes:** 1/2", 1/2" x 3/4", 5/8" x 3/4", and 3/4"
- **Material:** C46500
- **Pressure Rating:** 150 PSI
- Pex end conforms to ASTM F1960



NO-LEAD: The weighted average of the wetted surface of this no-lead product contacted by consumable water contains less than one quarter of one percent (0.25%) lead.



**A.Y. McDonald Mfg. Co.**  
4800 Chavenelle Rd  
Dubuque, IA 52002

**Toll Free:** 1-800-292-2737  
sales@aymcdonald.com  
aymcdonald.com

A.Y. McDonald considers the information on this assembly drawing correct when published. Item and option availability, including specifications, are subject to change without notice.

**Submitted by:**