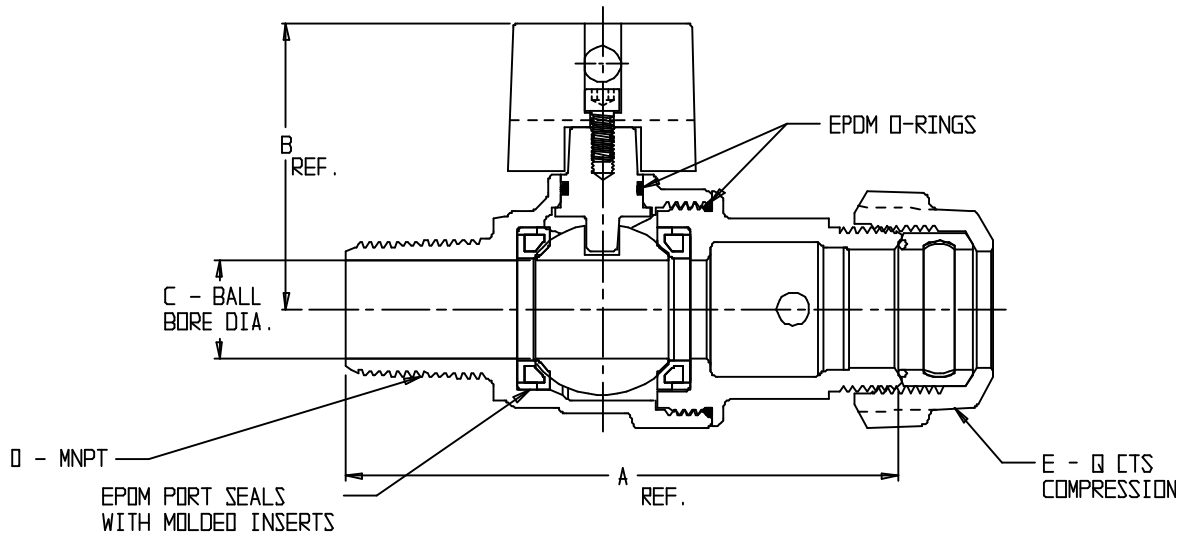


SUBMITTAL DATA SHEET

NL Ball Style Corporation Stop – 74104BCAPQ

MNPT x Q CTS Compression



MODEL	SIZE	A	B	C	D	E
74104BCAPQ	3/4	4.25	2.20	.75	3/4	3/4
74104BCAPQ	1	4.64	2.40	1.00	1	1
74104BCAPQ	1 1/2	6.42	3.30	1.50	1 1/2	1 1/2
74104BCAPQ	2	6.86	3.60	2.00	2	2

SUBMITTAL INFORMATION

- Manufactured in compliance with ANSI/AWWA C800 (latest revision)
- Brass components in contact with potable water conform to ASTM B584, UNS C89833 (latest revision) and identified with "NL"
- Certified to NSF/ANSI 61 and NSF/ANSI 372
- Brass components not in contact with potable water conform to ASTM B62 and ASTM B584, UNS C83600 -85-5-5-5 (latest revision)
- PTFE coated brass ball rotates 360°
- Valve rated for 300 PSIG water pressure, end connections not to exceed rated pipe pressure.
- Blow out proof EPDM port seals
- End piece joint sealed with an EPDM o-ring and thread locker
- Insert stiffeners required for all flexible plastic connections



A.Y. McDonald Mfg. Co.
4800 Chavenelle Rd
Dubuque, IA 52002

Toll Free: 1-800-292-2737
sales@aymcdonald.com
aymcdonald.com

Submitted by:

04-20

SUBMITTAL DATA SHEET

NL Ball Style Corporation Stop – 74104BCAPQ

MNPT x Q CTS Compression



A.Y. McDonald considers the information on this assembly drawing correct when published. Item and option availability, including specifications, are subject to change without notice.