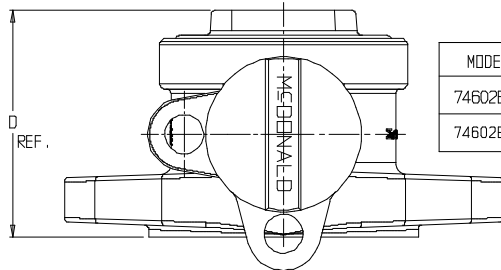


SUBMITTAL DATA SHEET

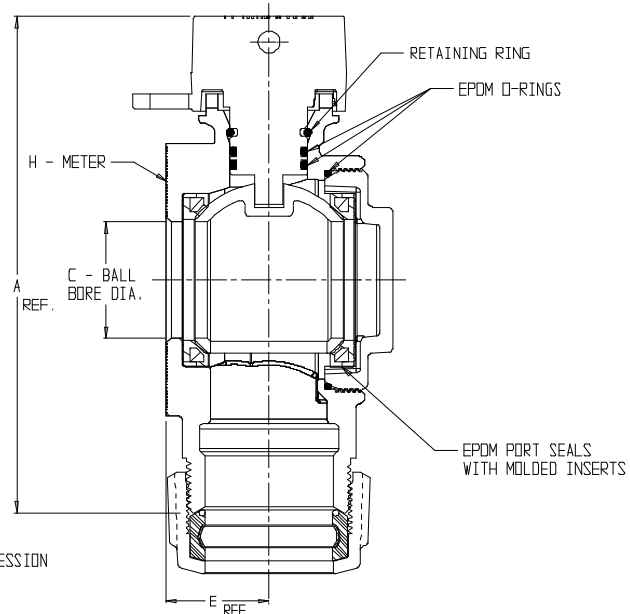
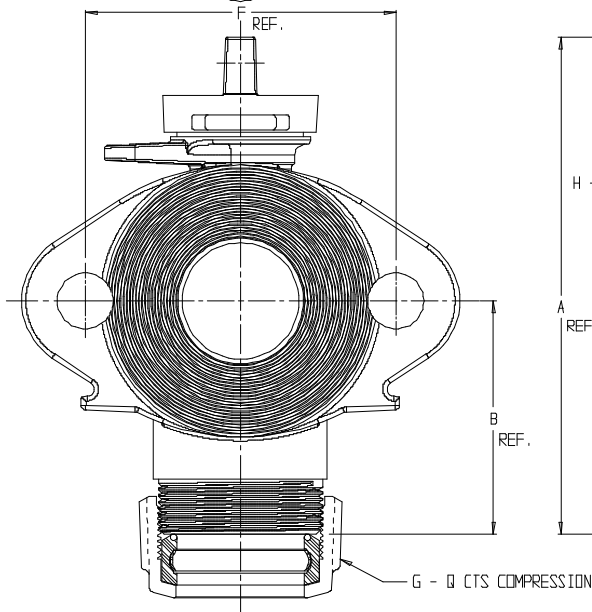
NL Ball Style Meter Stop – 74602BCSQ

Q CTS Compression x Oval Flange



MODEL	SIZE	A	B	C	D	E	F	G	H
74602BCSQ	1 1/2	6.39	3.00	1.50	2.91	1.32	4.00	1 1/2	1 1/2
74602BCSQ	2	6.39	3.00	1.50	3.11	1.52	4.50*	2	1 1/2 OR 2

* FLANGE FACE ALSO DRILLED FOR 1 1/2" METER WITH 4.00 SPACING



SUBMITTAL INFORMATION

- Manufactured in compliance with ANSI/AWWA C800 (latest revision)
- Brass components in contact with potable water conform to ASTM B584, UNS C89833 (latest revision) and identified with "NL"
- Certified to NSF/ANSI 61 and NSF/ANSI 372
- Brass components not in contact with potable water conform to ASTM B62 and ASTM B584, UNS C83600 -85-5-5-5 (latest revision)
- PTFE coated brass ball
- Valve rated for 300 PSIG water pressure, end connections not to exceed rated pipe pressure.
- Blow out proof EPDM port seals
- End piece joint sealed with an EPDM o-ring and thread locker
- Insert stiffeners required on all flexible plastic connections



A.Y. McDonald Mfg. Co.
4800 Chavenelle Rd
Dubuque, IA 52002

Toll Free: 1-800-292-2737
sales@aymcdonald.com
aymcdonald.com

A.Y. McDonald considers the information on this assembly drawing correct when published. Item and option availability, including specifications, are subject to change without notice.

Submitted by: