

# SUBMITTAL DATA SHEET

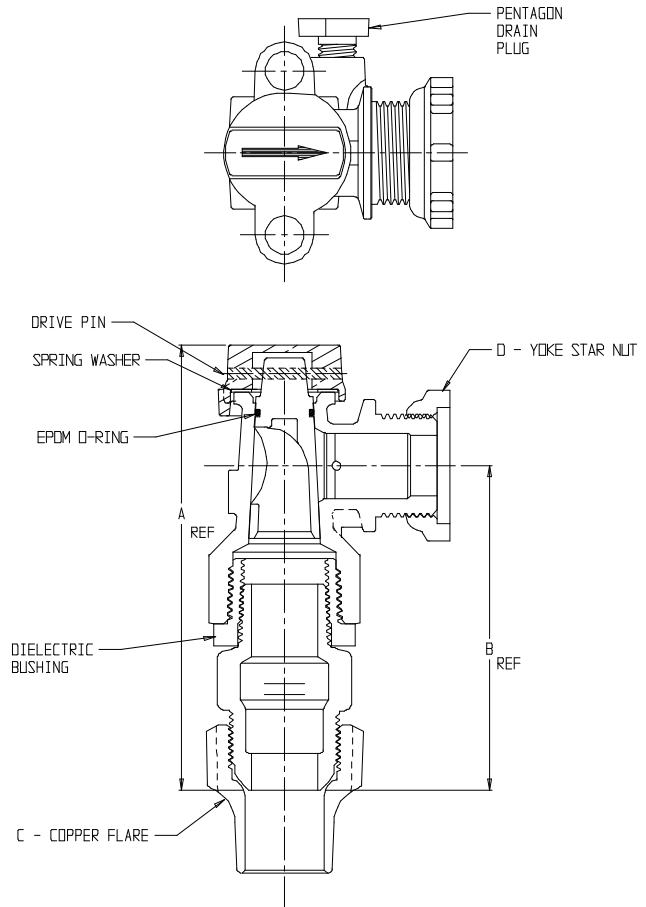
## NL Angle Plug Style Meter Stop – 74602DBYD

Copper Flare with Di-electric bushing x Yoke Star Nut



MODEL	SIZE	A	B	C	D
74602DBYD	1 X 04	5.71	4.05	1	1

NOTE:  
OVERALL LENGTHS  
WILL VARY WITH  
ASSEMBLY DEPTH  
OF DI-ELECTRIC  
BUSHING



### SUBMITTAL INFORMATION

- Manufactured in compliance with ANSI/AWWA C800 (latest revision)
- Brass components in contact with potable water conform to ASTM B584, UNS C89833 (latest revision) and identified with “NL”
- Certified to NSF/ANSI 61 and NSF/ANSI 372
- Brass components not in contact with potable water conform to ASTM B62 and ASTM B584, UNS C83600 -85-5-5-5 (latest revision)
- Large wrench flats provided for proper installation
- Rated for 100 PSIG water pressure



**A.Y. McDonald Mfg. Co.**  
4800 Chavenelle Rd  
Dubuque, IA 52002

**Toll Free: 1-800-292-2737**  
sales@aymcdonald.com  
[aymcdonald.com](http://aymcdonald.com)

A.Y. McDonald considers the information on this assembly drawing correct when published. Item and option availability, including specifications, are subject to change without notice.

**Submitted by:**