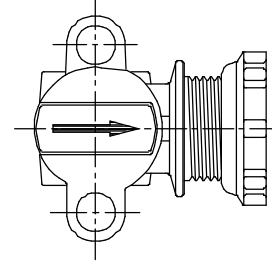


SUBMITTAL DATA SHEET

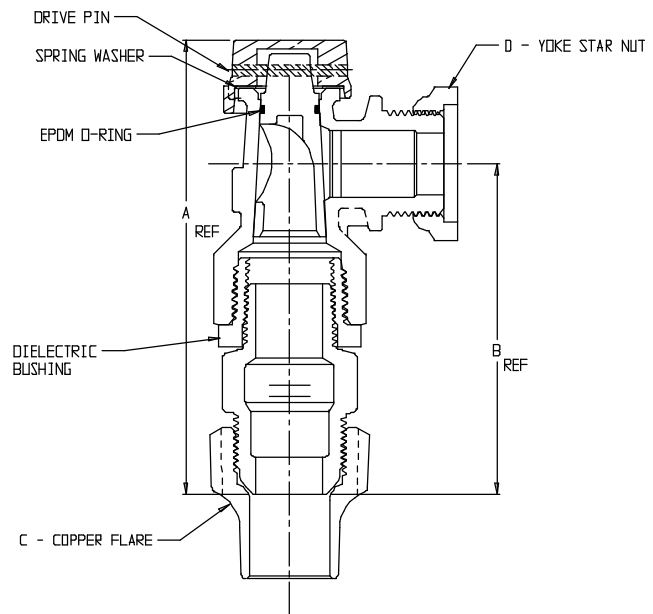
NL Angle Plug Style Meter Stop – 74602DBY

Copper Flare with Di-electric bushing x Yoke Star Nut



MODEL	SIZE	A	B	C	D
74602DBY	3/4 X 01	5.09	3.71	3/4	5/8
74602DBY	1 X 01	5.29	3.91	1	5/8
74602DBY	3/4 X 02	5.09	3.71	3/4	5/8 X 3/4, 3/4
74602DBY	1 X 02	5.29	3.91	1	5/8 X 3/4, 3/4
74602DBY	1 X 04	5.71	4.05	1	1

NOTE:
OVERALL LENGTHS
WILL VARY WITH
ASSEMBLY DEPTH
OF DI-ELECTRIC
BUSHING



SUBMITTAL INFORMATION

- Manufactured in compliance with ANSI/AWWA C800 (latest revision)
- Brass components in contact with potable water conform to ASTM B584, UNS C89833 (latest revision) and identified with “NL”
- Certified to NSF/ANSI 61 and NSF/ANSI 372
- Brass components not in contact with potable water conform to ASTM B62 and ASTM B584, UNS C83600 -85-5-5-5 (latest revision)
- Large wrench flats provided for proper installation
- Rated for 100 PSIG water pressure



A.Y. McDonald Mfg. Co.
4800 Chavenelle Rd
Dubuque, IA 52002

Toll Free: 1-800-292-2737
sales@aymcdonald.com
aymcdonald.com

A.Y. McDonald considers the information on this assembly drawing correct when published. Item and option availability, including specifications, are subject to change without notice.

Submitted by: