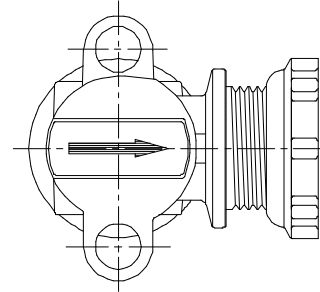


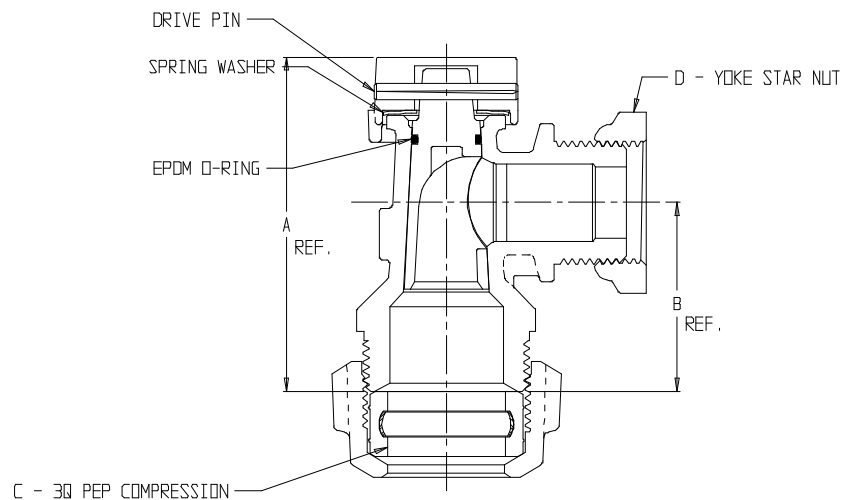
# SUBMITTAL DATA SHEET

## NL Angle Plug Style Meter Stop – 74602Y-3Q

-3Q PEP Compression x Yoke Star Nut



MODEL	SIZE	A	B	C	D
74602Y-3Q	3/4 X 01	3.21	1.81	3/4	5/8
74602Y-3Q	3/4 X 02	3.21	1.81	3/4	5/8 X 3/4, 3/4
74602Y-3Q	1 X 04	3.73	2.07	1	1



### SUBMITTAL INFORMATION

- Manufactured in compliance with ANSI/AWWA C800 (latest revision)
- Brass components in contact with potable water conform to ASTM B584, UNS C89833 (latest revision) and identified with “NL”
- Certified to NSF/ANSI 61 and NSF/ANSI 372
- Brass components not in contact with potable water conform to ASTM B62 and ASTM B584, UNS C83600 -85-5-5-5 (latest revision)
- Large wrench flats provided for proper installation
- Rated for 100 PSIG water pressure
- Insert stiffeners required on all flexible plastic connections



**A.Y. McDonald Mfg. Co.**  
4800 Chavenelle Rd  
Dubuque, IA 52002

**Toll Free: 1-800-292-2737**  
sales@aymcdonald.com  
[aymcdonald.com](http://aymcdonald.com)

A.Y. McDonald considers the information on this assembly drawing correct when published. Item and option availability, including specifications, are subject to change without notice.

**Submitted by:**