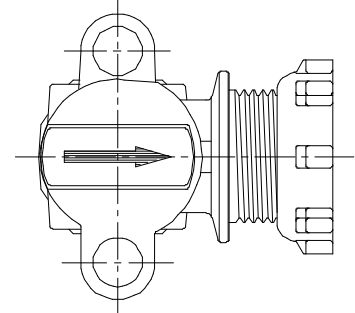


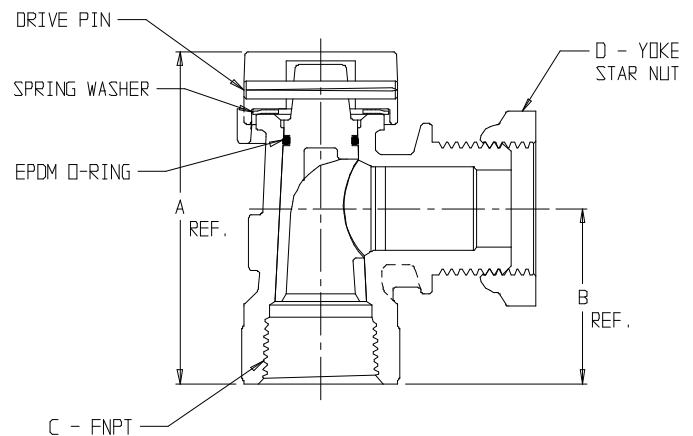
SUBMITTAL DATA SHEET

NL Angle Plug Style Meter Stop – 74604Y

FNPT x Yoke Star Nut



| MODEL | SIZE | A | B | C | D |
|--------|------------|------|------|-------|----------------|
| 74604Y | 3/4 X 01 | 2.95 | 1.56 | 3/4 | 5/8 |
| 74604Y | 1 X 01 | 3.21 | 1.81 | 1 | 5/8 |
| 74604Y | 3/4 X 02 | 2.95 | 1.56 | 3/4 | 5/8 X 3/4, 3/4 |
| 74604Y | 1 X 02 | 3.21 | 1.81 | 1 | 5/8 X 3/4, 3/4 |
| 74604Y | 1 X 04 | 3.57 | 1.91 | 1 | 1 |
| 74604Y | 1 1/4 X 04 | 3.80 | 2.14 | 1 1/4 | 1 |



SUBMITTAL INFORMATION

- Manufactured in compliance with ANSI/AWWA C800 (latest revision)
- Brass components in contact with potable water conform to ASTM B584, UNS C89833 (latest revision) and identified with “NL”
- Certified to NSF/ANSI 61 and NSF/ANSI 372
- Brass components not in contact with potable water conform to ASTM B62 and ASTM B584, UNS C83600 -85-5-5-5 (latest revision)
- Large wrench flats provided for proper installation
- Rated for 100 PSIG water pressure



A.Y. McDonald Mfg. Co.
4800 Chavenelle Rd
Dubuque, IA 52002

Toll Free: 1-800-292-2737
sales@aymcdonald.com
aymcdonald.com

A.Y. McDonald considers the information on this assembly drawing correct when published. Item and option availability, including specifications, are subject to change without notice.

Submitted by: