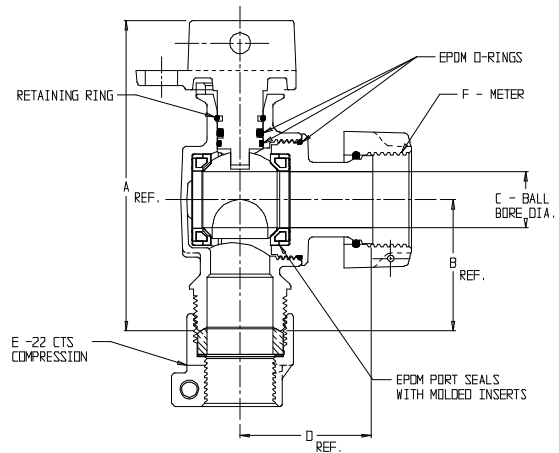
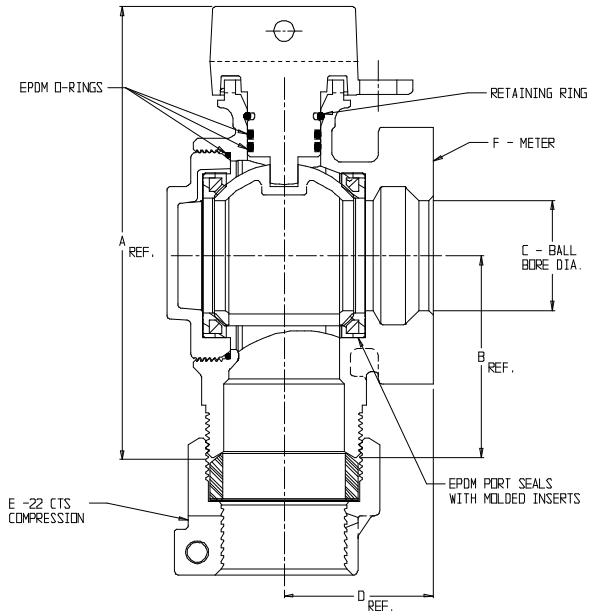
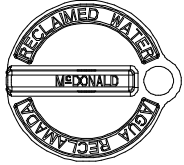


SUBMITTAL DATA SHEET

NL Ball Style Meter Stop – 74602B-22RWC

-22 CTS Compression x Meter



MODEL	SIZE	A	B	C	D	E	F
4602B-22RWC	1 1/2	6.14	2.75	1.50	2.03	1 1/2	1 1/2
4602B-22RWC	2	6.92	3.22	2.00	2.84	2	1 1/2 DR 2

MODEL	SIZE	A	B	C	D	E	F
4602B-22RWC	3/4 X 3/4 X 5/8	4.20	1.78	.75	1.94	3/4	5/8
4602B-22RWC	1 X 3/4 X 5/8	4.64	2.21	.75	1.94	1	5/8
4602B-22RWC	3/4	4.22	1.78	.75	1.78	3/4	5/8 X 3/4, 3/4
4602B-22RWC	1 X 3/4 X 3/4	4.85	2.21	.75	1.78	1	5/8 X 3/4, 3/4
4602B-22RWC	1 1/4 X 3/4 X 3/4	4.99	2.54	.75	1.78	1 1/4	5/8 X 3/4, 3/4
4602B-22RWC	1	5.03	2.25	1.00	2.71	1	1
4602B-22RWC	1 1/4 X 1 X 1	5.15	2.50	1.00	2.45	1 1/4	1

SUBMITTAL INFORMATION

- Manufactured in compliance with ANSI/AWWA C800 (latest revision)
- Brass components in contact with potable water conform to ASTM B584, UNS C89833 (latest revision) and identified with "NL"
- Certified to NSF/ANSI 61 and NSF/ANSI 372
- Brass components not in contact with potable water conform to ASTM B62 and ASTM B584, UNS C83600 -85-5-5-5 (latest revision)
- PTFE coated brass ball
- Valve rated for 300 PSIG water pressure, end connections not to exceed rated pipe pressure.
- Blow out proof EPDM port seals
- End piece joint sealed with an EPDM o-ring and thread locker
- Insert stiffeners required on all flexible plastic connections



A.Y. McDonald Mfg. Co.
4800 Chavenelle Rd
Dubuque, IA 52002

Toll Free: 1-800-292-2737
sales@aymcdonald.com
aymcdonald.com

A.Y. McDonald considers the information on this assembly drawing correct when published. Item and option availability, including specifications, are subject to change without notice.

Submitted by: