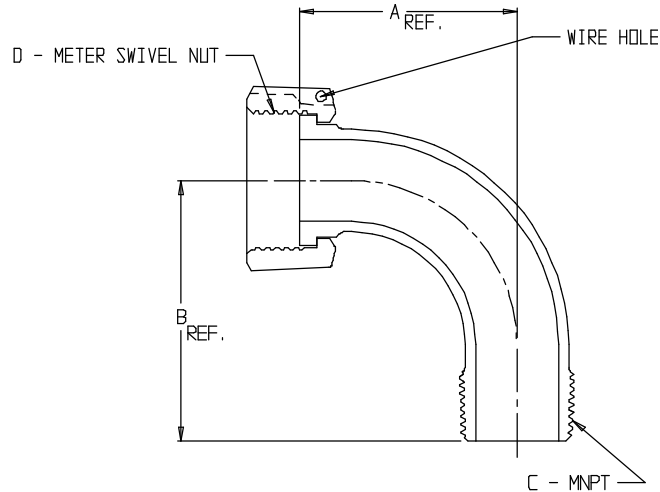


# SUBMITTAL DATA SHEET

## NL Meter Coupling - 74621

Meter Swivel Nut With Wire Seal Hole x MNPT



MODEL	SIZE	A	B	C	D
74621	5/8 X 1/2	2.00	2.91	1/2	5/8
74621	5/8 X 3/4	2.01	2.00	3/4	5/8
74621	3/4 X 1/2	2.00	2.91	1/2	5/8 X 3/4, 3/4
74621	3/4 X 3/4	1.97	2.38	3/4	5/8 X 3/4, 3/4
74621DAL	3/4 X 3/4	2.06	2.79	3/4	5/8 X 3/4, 3/4
74621	3/4 X 1	2.01	2.00	1	5/8 X 3/4, 3/4
74621	1 X 1	2.38	2.69	1	1
74621DAL	1 X 1	2.38	2.69	1	1

### SUBMITTAL INFORMATION

- Manufactured in compliance with ANSI/AWWA C800 (latest revision)
- Brass components in contact with potable water conform to ASTM B584, UNS C89833 (latest revision) and identified with "NL"
- Certified to NSF/ANSI 61 and NSF/ANSI 372
- Brass components not in contact with potable water conform to ASTM B62 and ASTM B584, UNS C83600 -85-5-5-5 (latest revision)
- Large wrench area provided for proper installation



**A.Y. McDonald Mfg. Co.**  
4800 Chavenelle Rd  
Dubuque, IA 52002

**Toll Free: 1-800-292-2737**  
sales@aymcdonald.com  
[aymcdonald.com](http://aymcdonald.com)

A.Y. McDonald considers the information on this assembly drawing correct when published. Item and option availability, including specifications, are subject to change without notice.

**Submitted by:**