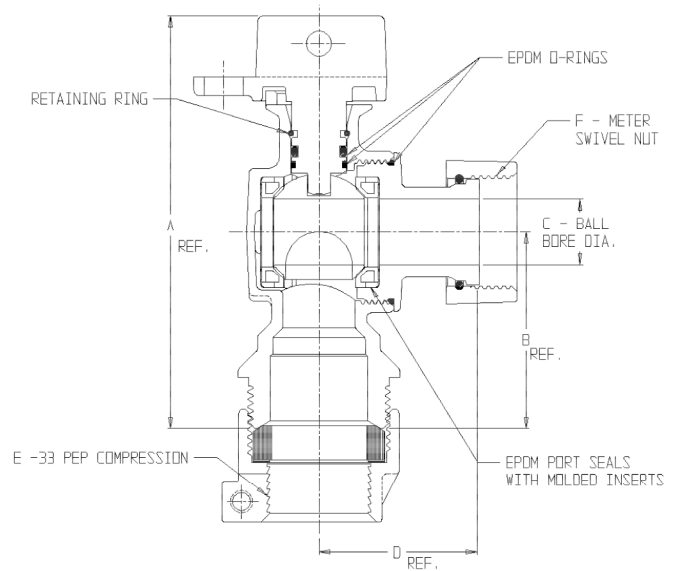
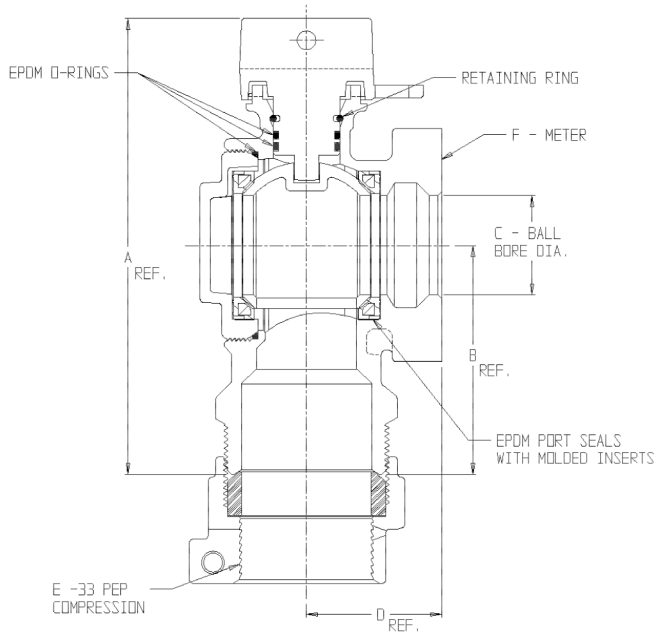


# SUBMITTAL DATA SHEET

## NL Ball Style Meter Stop – 74602B-33

-33 PEP Compression x Meter



| MODEL     | SIZE  | A    | B    | C    | D    | E     | F     |
|-----------|-------|------|------|------|------|-------|-------|
| 74602B-33 | 1 1/2 | 6.79 | 3.40 | 1.50 | 2.03 | 1 1/2 | 1 1/2 |

| MODEL     | SIZE          | A    | B    | C    | D    | E   | F              |
|-----------|---------------|------|------|------|------|-----|----------------|
| 74602B-33 | 3/4           | 4.63 | 2.21 | .75  | 1.78 | 3/4 | 5/8 X 3/4, 3/4 |
| 74602B-33 | 1 X 3/4 X 3/4 | 4.96 | 2.55 | .75  | 1.78 | 1   | 5/8 X 3/4, 3/4 |
| 74602B-33 | 1             | 5.14 | 2.50 | 1.00 | 2.46 | 1   | 1              |

### SUBMITTAL INFORMATION

- Manufactured in compliance with ANSI/AWWA C800 (latest revision)
- Brass components in contact with potable water conform to ASTM B584, UNS C89833 (latest revision) and identified with "NL"
- Certified to NSF/ANSI 61 and NSF/ANSI 372
- Brass components not in contact with potable water conform to ASTM B62 and ASTM B584, UNS C83600 -85-5-5-5 (latest revision)
- PTFE coated brass ball
- Valve rated for 300 PSIG water pressure, end connections not to exceed rated pipe pressure.
- Blow out proof EPDM port seals
- End piece joint sealed with an EPDM o-ring and thread locker
- Insert stiffeners required on all flexible plastic connections



**A.Y. McDonald Mfg. Co.**  
4800 Chavenelle Rd  
Dubuque, IA 52002

**Toll Free: 1-800-292-2737**  
sales@aymcdonald.com  
[aymcdonald.com](http://aymcdonald.com)

A.Y. McDonald considers the information on this assembly drawing correct when published. Item and option availability, including specifications, are subject to change without notice.

**Submitted by:**