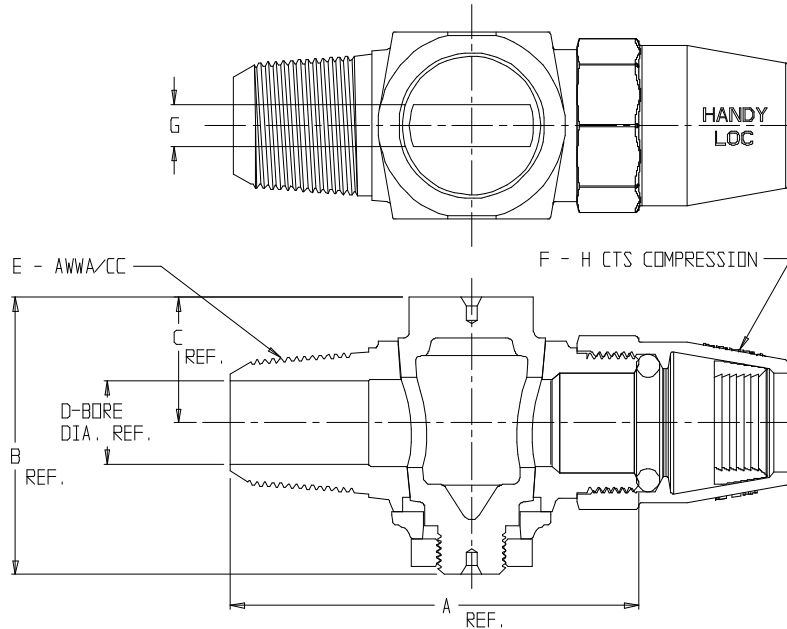


SUBMITTAL DATA SHEET

NL Plug Style Corporation Stop – 74701H

AWWA/CC x H CTS Compression



MODEL NO.	SIZE	A	B	C	D	E	F	G
74701H	3/4	3.66	2.50	1.13	.75	3/4	3/4	.38
74701H	3/4 X 1	3.87	2.50	1.13	.75	3/4	1	.38
74701H	1	4.25	2.89	1.41	1.00	1	1	.38

SUBMITTAL INFORMATION

- Manufactured in compliance with ANSI/AWWA C800 (latest revision)
- Brass components in contact with potable water conform to ASTM B584, UNS C89833 (latest revision) and identified with “NL”
- Certified to NSF/ANSI 61 and NSF/ANSI 372
- Brass components not in contact with potable water conform to ASTM B62 and ASTM B584, UNS C83600 -85-5-5-5 (latest revision)
- Large wrench flats provided for proper installation
- Plug rotates 360°
- 1/2” – 1” rated for 100 PSIG water pressure
- 1 1/4” – 2” rated for 80 PSIG water pressure



A.Y. McDonald Mfg. Co.
4800 Chavenelle Rd
Dubuque, IA 52002

Toll Free: 1-800-292-2737
sales@aymcdonald.com
aymcdonald.com

A.Y. McDonald considers the information on this assembly drawing correct when published. Item and option availability, including specifications, are subject to change without notice.

Submitted by: