

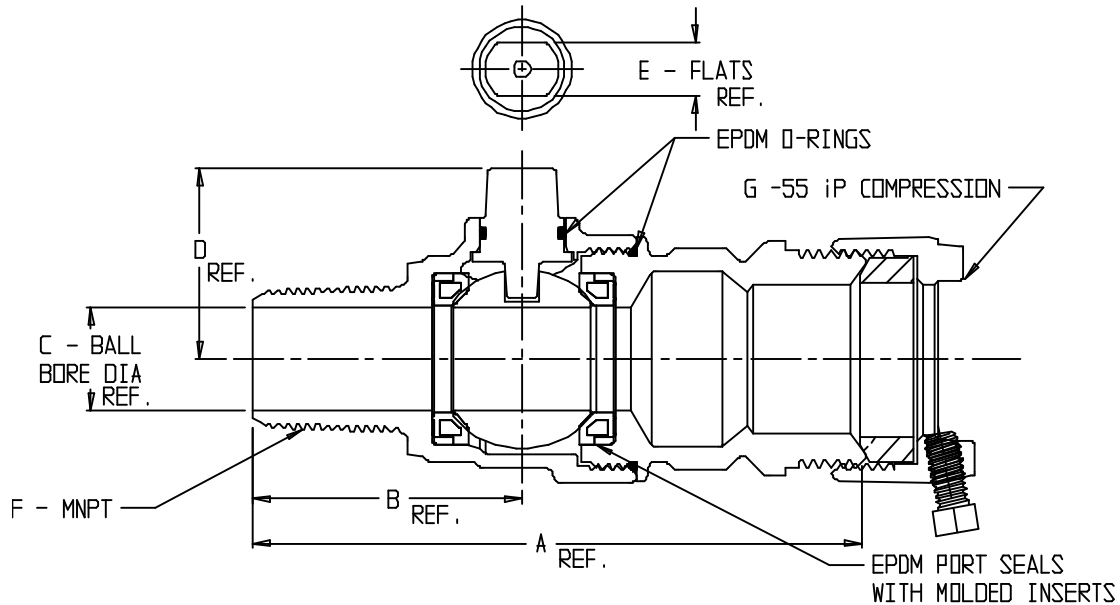
SUBMITTAL DATA SHEET

NL Ball Style Corporation Stop – 74704B-55

MNPT x -55 IP Compression



DRAWING MAY NOT RESEMBLE ACTUAL CONFIGURATION



| PLATE NO. | SIZE | A | B | C | D | E | F | G |
|-----------|---------|------|------|------|------|-----|-------|-------|
| 74704B-55 | 3/4 | 4.44 | 1.96 | .75 | 1.39 | .38 | 3/4 | 3/4 |
| 74704B-55 | 3/4 X 1 | 4.49 | 1.96 | .75 | 1.39 | .38 | 3/4 | 1 |
| 74704B-55 | 1 | 4.63 | 2.15 | 1.00 | 1.50 | .28 | 1 | 1 |
| 74704B-55 | 1 1/2 | 6.07 | 3.05 | 1.50 | 2.15 | .42 | 1 1/2 | 1 1/2 |
| 74704B-55 | 2 | 7.66 | 3.21 | 2.00 | 2.46 | .42 | 2 | 2 |

SUBMITTAL INFORMATION

- Manufactured in compliance with ANSI/AWWA C800 (latest revision)
- Brass components in contact with potable water conform to ASTM B584, UNS C89833 (latest revision) and identified with "NL"
- Certified to NSF/ANSI 61 and NSF/ANSI 372
- Brass components not in contact with potable water conform to ASTM B62 and ASTM B584, UNS C83600 -85-5-5-5 (latest revision)
- PTFE coated brass ball rotates 360°
- Valve rated for 300 PSIG water pressure, end connections not to exceed rated pipe pressures.
- Blow out proof EPDM port seals
- End piece joint sealed with an EPDM o-ring and thread locker



A.Y. McDonald Mfg. Co.
4800 Chavenelle Rd
Dubuque, IA 52002

Toll Free: 1-800-292-2737
sales@aymcdonald.com
aymcdonald.com

A.Y. McDonald considers the information on this assembly drawing correct when published. Item and option availability, including specifications, are subject to change without notice.

Submitted by: