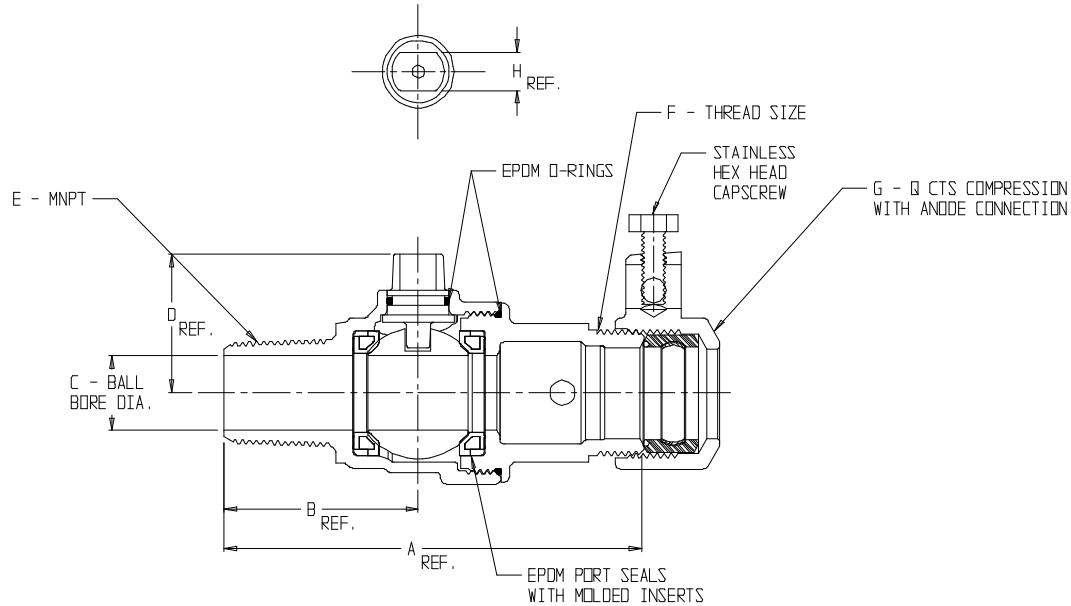


# SUBMITTAL DATA SHEET

NL Ball Style Corporation Stop – 74704BQA

MNPT x Anode Q CTS Compression



| MODEL    | SIZE      | A    | B    | C    | D    | E     | F                | G     | H   |
|----------|-----------|------|------|------|------|-------|------------------|-------|-----|
| 74704BQA | 3/4       | 4.22 | 1.96 | .75  | 1.39 | 3/4   | 3/4 AWWA FLARE   | 3/4   | .38 |
| 74704BQA | 1         | 4.37 | 2.11 | 1.00 | 1.50 | 1     | 1 AWWA FLARE     | 1     | .28 |
| 74704BQA | 1 1/4     | 5.90 | 3.02 | 1.25 | 1.88 | 1 1/4 | 1 1/4 AWWA FLARE | 1 1/4 | .42 |
| 74704BQA | 1 1/2     | 6.42 | 3.05 | 1.50 | 2.15 | 1 1/2 | 2 1/8-16 SPECIAL | 1 1/2 | .42 |
| 74704BQA | 1 1/2 X 2 | 6.97 | 3.05 | 1.50 | 2.15 | 1 1/2 | 2 5/8-16 SPECIAL | 1 1/2 | .38 |
| 74704BQA | 2         | 6.86 | 3.21 | 2.00 | 2.46 | 2     | 2 5/8-16 SPECIAL | 2     | .42 |

## SUBMITTAL INFORMATION

- Manufactured in compliance with ANSI/AWWA C800 (latest revision)
- Brass components in contact with potable water conform to ASTM B584, UNS C89833 (latest revision) and identified with “NL”
- Certified to NSF/ANSI 61 and NSF/ANSI 372
- Brass components not in contact with potable water conform to ASTM B62 and ASTM B584, UNS C83600 -85-5-5-5 (latest revision)
- PTFE coated brass ball rotates 360°
- Valve rated for 300 PSIG water pressure, end connections not to exceed rated pipe pressures.
- Blow out proof EPDM port seals
- End piece joint sealed with an EPDM o-ring and thread locker
- Insert stiffeners required on all flexible plastic connections



**A.Y. McDonald Mfg. Co.**  
4800 Chavenelle Rd  
Dubuque, IA 52002

**Toll Free: 1-800-292-2737**  
sales@aymcdonald.com  
[aymcdonald.com](http://aymcdonald.com)

A.Y. McDonald considers the information on this assembly drawing correct when published. Item and option availability, including specifications, are subject to change without notice.

**Submitted by:**