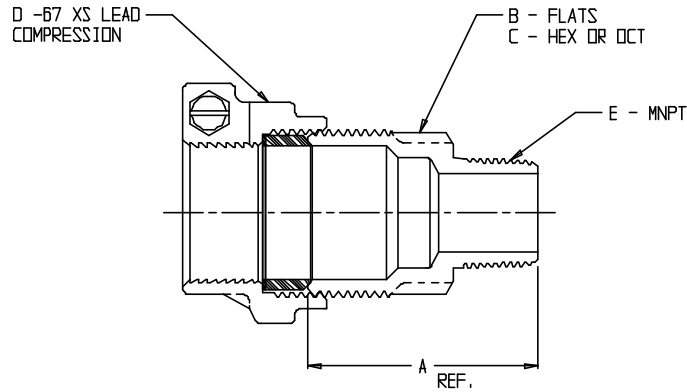


SUBMITTAL DATA SHEET

NL Service Fitting – 74753-67

-67 XS Lead Compression x MNPT



MODEL	SIZE	A	B	C	D	E
74753-67	1/2 X 3/4	1.91	1.34	OCT	1/2	3/4
74753-67	5/8 X 3/4	2.13	1.38	OCT	5/8	3/4
74753-67	3/4	2.19	1.34	OCT	3/4	3/4
74753-67	3/4 X 1	2.19	1.34	HEX	3/4	1
74753-67	1	2.51	1.85	OCT	1	1
74753-67	1 X 3/4	2.66	1.85	OCT	1	3/4
74753-67	1 1/4	2.60	2.10	OCT	1 1/4	1 1/4
74753-67	1 1/4 X 1	2.60	2.10	OCT	1 1/4	1
74753-67	1 1/2	2.70	2.44	OCT	1 1/2	1 1/2
74753-67	2	3.06	3.31	HEX	2	2

SUBMITTAL INFORMATION

- Manufactured in compliance with ANSI/AWWA C800 (latest revision)
- Brass components in contact with potable water conform to ASTM B584, UNS C89833 (latest revision) and identified with “NL”
- Certified to NSF/ANSI 61 and NSF/ANSI 372
- Brass components not in contact with potable water conform to ASTM B62 and ASTM B584, UNS C83600 -85-5-5-5 (latest revision)
- Large wrench flats provided for proper installation



A.Y. McDonald Mfg. Co.
 4800 Chavenelle Rd
 Dubuque, IA 52002

Toll Free: 1-800-292-2737
sales@aymcdonald.com
aymcdonald.com

A.Y. McDonald considers the information on this assembly drawing correct when published. Item and option availability, including specifications, are subject to change without notice.

Submitted by: