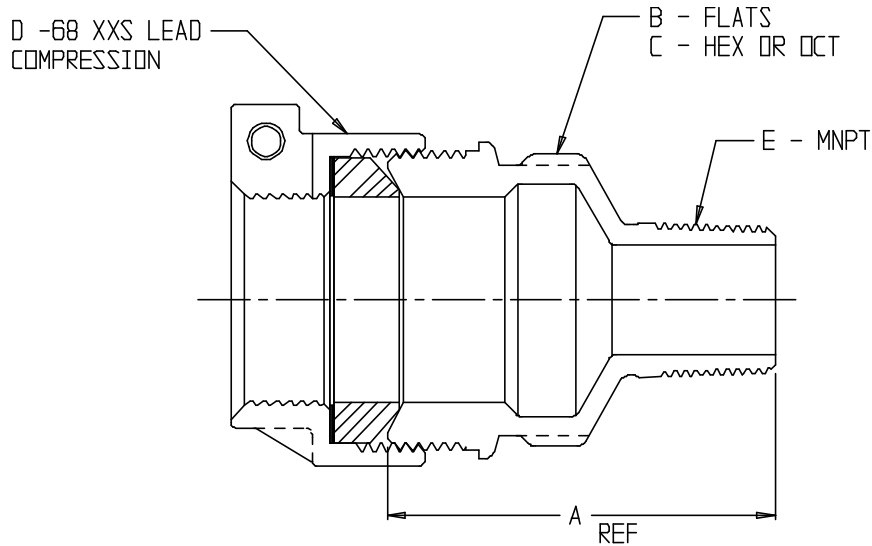


# SUBMITTAL DATA SHEET

NL Service Fitting – 74753-68

-68 XXS Lead Compression x MNPT



MODEL	SIZE	A	B	C	D	E
74753-68	1/2 X 3/4	2.03	1.38	OCT	1/2	3/4
74753-68	5/8 X 3/4	2.19	1.34	HEX	5/8	3/4
74753-68	3/4	2.66	1.85	OCT	3/4	3/4
74753-68	1	2.51	1.85	OCT	1	1

## SUBMITTAL INFORMATION

- Manufactured in compliance with ANSI/AWWA C800 (latest revision)
- Brass components in contact with potable water conform to ASTM B584, UNS C89833 (latest revision) and identified with “NL”
- Certified to NSF/ANSI 61 and NSF/ANSI 372
- Brass components not in contact with potable water conform to ASTM B62 and ASTM B584, UNS C83600 -85-5-5-5 (latest revision)
- Large wrench flats provided for proper installation



**A.Y. McDonald Mfg. Co.**  
4800 Chavenelle Rd  
Dubuque, IA 52002

**Toll Free: 1-800-292-2737**  
sales@aymcdonald.com  
[aymcdonald.com](http://aymcdonald.com)

A.Y. McDonald considers the information on this assembly drawing correct when published. Item and option availability, including specifications, are subject to change without notice.

**Submitted by:**