

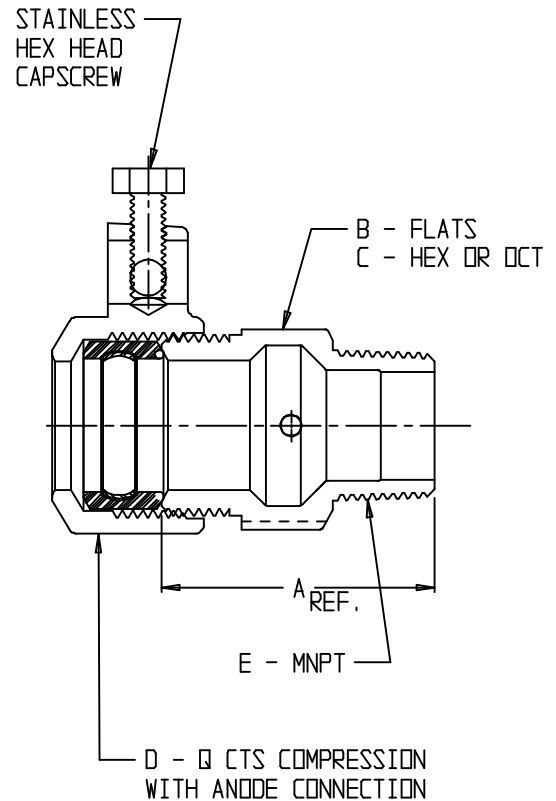
# SUBMITTAL DATA SHEET



NL Service Fitting – 74753QA

Q CTS Compression with Anode Connection x MNPT

| MODEL   | SIZE          | A    | B    | C   | D     | E     |
|---------|---------------|------|------|-----|-------|-------|
| 74753QA | 3/4           | 1.91 | 1.34 | OCT | 3/4   | 3/4   |
| 74753QA | 3/4 X 1/2     | 1.73 | 1.38 | HEX | 3/4   | 1/2   |
| 74753QA | 3/4 X 1       | 1.95 | 1.32 | OCT | 3/4   | 1     |
| 74753QA | 1             | 2.44 | 1.38 | OCT | 1     | 1     |
| 74753QA | 1 X 3/4       | 2.18 | 1.38 | OCT | 1     | 3/4   |
| 74753QA | 1 1/4         | 2.69 | 1.70 | OCT | 1 1/4 | 1 1/4 |
| 74753QA | 1 1/4 X 3/4   | 2.50 | 1.85 | OCT | 1 1/4 | 3/4   |
| 74753QA | 1 1/4 X 1     | 2.76 | 1.85 | OCT | 1 1/4 | 1     |
| 74753QA | 1 1/4 X 1 1/2 | 2.69 | 1.69 | HEX | 1 1/4 | 1 1/2 |
| 74753QA | 1 1/2         | 2.72 | 2.00 | OCT | 1 1/2 | 1 1/2 |
| 74753QA | 1 1/2 X 1     | 2.75 | 1.85 | OCT | 1 1/2 | 1     |
| 74753QA | 1 1/2 X 1 1/4 | 2.65 | 1.85 | OCT | 1 1/2 | 1 1/4 |
| 74753QA | 2             | 3.02 | 2.44 | OCT | 2     | 2     |



## SUBMITTAL INFORMATION

- Manufactured in compliance with ANSI/AWWA C800 (latest revision)
- Brass components in contact with potable water conform to ASTM B584, UNS C89833 (latest revision) and identified with "NL"
- Certified to NSF/ANSI 61 and NSF/ANSI 372
- Brass components not in contact with potable water conform to ASTM B62 and ASTM B584, UNS C83600 -85-5-5-5 (latest revision)
- Large wrench flats provided for proper installation
- Insert stiffeners required on all flexible plastic connections



**A.Y. McDonald Mfg. Co.**  
4800 Chavenelle Rd  
Dubuque, IA 52002

**Toll Free: 1-800-292-2737**  
sales@aymcdonald.com  
[aymcdonald.com](http://aymcdonald.com)

A.Y. McDonald considers the information on this assembly drawing correct when published. Item and option availability, including specifications, are subject to change without notice.

**Submitted by:**