

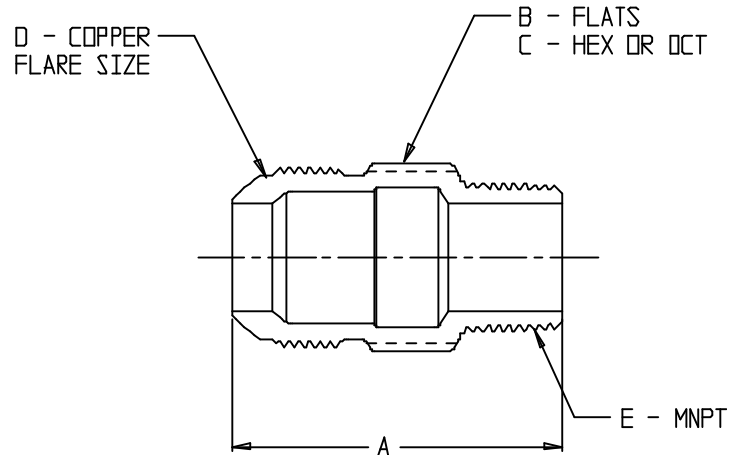
SUBMITTAL DATA SHEET



NL Service Fitting – 74753L

Copper Flare x MNPT

MODEL	SIZE	A	B	C	D	E
74753L	1/2	1.88	1.06	HEX	1/2	1/2
74753L	1/2 X 3/4	2.00	1.03	HEX	1/2	3/4
74753L	3/4	2.29	1.20	OCT	3/4	3/4
74753L	3/4 X 1/2	2.21	1.38	HEX	3/4	1/2
74753L	3/4 X 1	2.35	1.32	OCT	3/4	1
74753L	1	2.66	1.38	OCT	1	1
74753L	1 X 3/4	2.49	1.34	HEX	1	3/4
74753L	1 X 2	3.31	2.44	OCT	1	2
74753L	1 1/4	2.95	1.70	OCT	1 1/4	1 1/4
74753L	1 1/2	3.35	2.00	OCT	1 1/2	1 1/2
74753L	2	3.75	3.31	HEX	2	2



SUBMITTAL INFORMATION

- Manufactured in compliance with ANSI/AWWA C800 (latest revision)
- Brass components in contact with potable water conform to ASTM B584, UNS C89833 (latest revision) and identified with “NL”
- Certified to NSF/ANSI 61 and NSF/ANSI 372
- Brass components not in contact with potable water conform to ASTM B62 and ASTM B584, UNS C83600 -85-5-5-5 (latest revision)
- Large wrench flats provided for proper installation



A.Y. McDonald Mfg. Co.
4800 Chavenelle Rd
Dubuque, IA 52002

Toll Free: 1-800-292-2737
sales@aymcdonald.com
aymcdonald.com

A.Y. McDonald considers the information on this assembly drawing correct when published. Item and option availability, including specifications, are subject to change without notice.

Submitted by: