

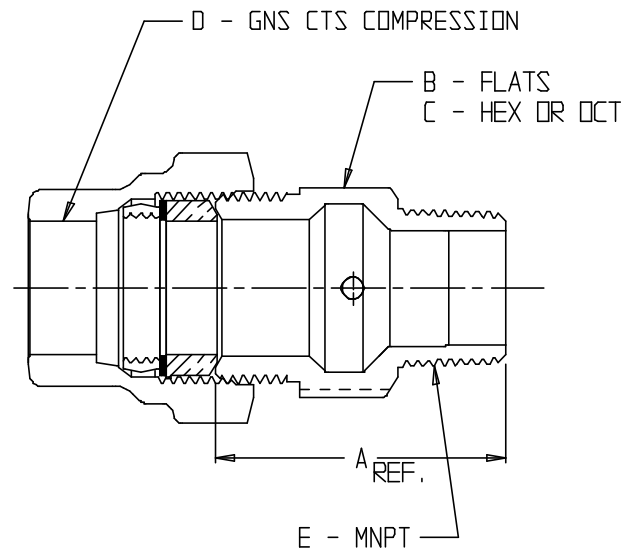
SUBMITTAL DATA SHEET

NL Service Fitting – 74753GNS

GNS CTS Compression x MNPT



| MODEL | SIZE | A | B | C | D | E |
|----------|---------------|------|------|-----|-------|-------|
| 74753GNS | 3/4 X 1/2 | 1.73 | 1.38 | HEX | 3/4 | 1/2 |
| 74753GNS | 3/4 | 1.91 | 1.34 | OCT | 3/4 | 3/4 |
| 74753GNS | 3/4 X 1 | 1.95 | 1.32 | OCT | 3/4 | 1 |
| 74753GNS | 1 | 2.44 | 1.38 | OCT | 1 | 1 |
| 74753GNS | 1 X 3/4 | 2.18 | 1.38 | OCT | 1 | 3/4 |
| 74753GNS | 1 X 2 | 3.08 | 2.44 | OCT | 1 | 2 |
| 74753GNS | 1 1/4 | 2.69 | 1.70 | OCT | 1 1/4 | 1 1/4 |
| 74753GNS | 1 1/4 X 3/4 | 2.50 | 1.85 | OCT | 1 1/4 | 3/4 |
| 74753GNS | 1 1/4 X 1 | 2.76 | 1.85 | OCT | 1 1/4 | 1 |
| 74753GNS | 1 1/4 X 1 1/2 | 2.69 | 1.69 | HEX | 1 1/4 | 1 1/2 |
| 74753GNS | 1 1/2 | 2.72 | 2.00 | OCT | 1 1/2 | 1 1/2 |
| 74753GNS | 1 1/2 X 1 | 2.75 | 1.85 | OCT | 1 1/2 | 1 |
| 74753GNS | 1 1/2 X 1 1/4 | 2.65 | 1.85 | OCT | 1 1/2 | 1 1/4 |
| 74753GNS | 2 | 3.02 | 2.44 | OCT | 2 | 2 |



SUBMITTAL INFORMATION

- Manufactured in compliance with ANSI/AWWA C800 (latest revision)
- Brass components in contact with potable water conform to ASTM B584, UNS C89833 (latest revision) and identified with “NL”
- Certified to NSF/ANSI 61 and NSF/ANSI 372
- Brass components not in contact with potable water conform to ASTM B62 and ASTM B584, UNS C83600 -85-5-5-5 (latest revision)
- Large wrench flats provided for proper installation
- Insert stiffeners required on all flexible plastic connections



A.Y. McDonald Mfg. Co.
4800 Chavenelle Rd
Dubuque, IA 52002

Toll Free: 1-800-292-2737
sales@aymcdonald.com
aymcdonald.com

A.Y. McDonald considers the information on this assembly drawing correct when published. Item and option availability, including specifications, are subject to change without notice.

Submitted by: